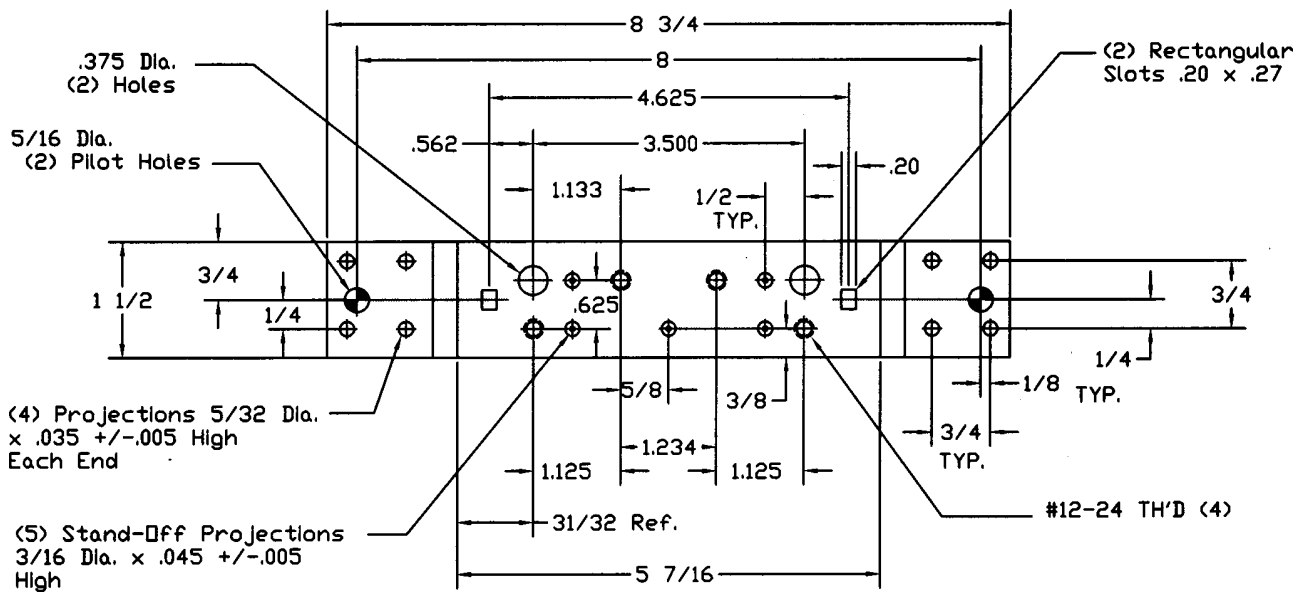
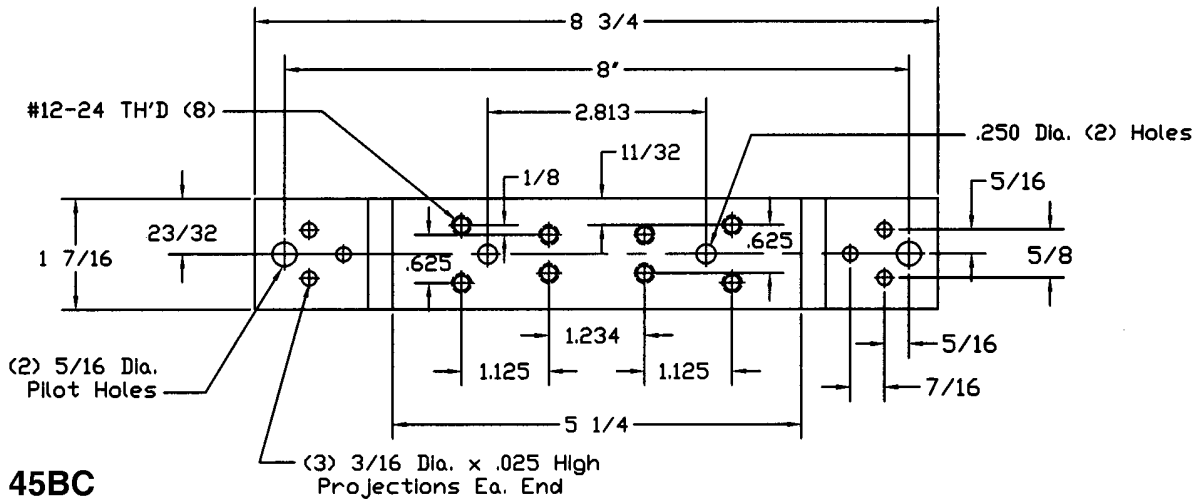
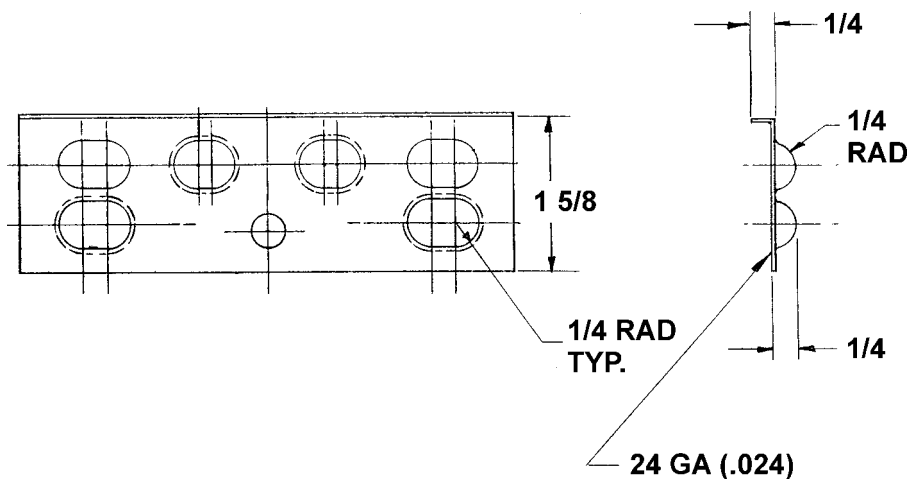


4 1/2" HINGE HOLE PATTERNS

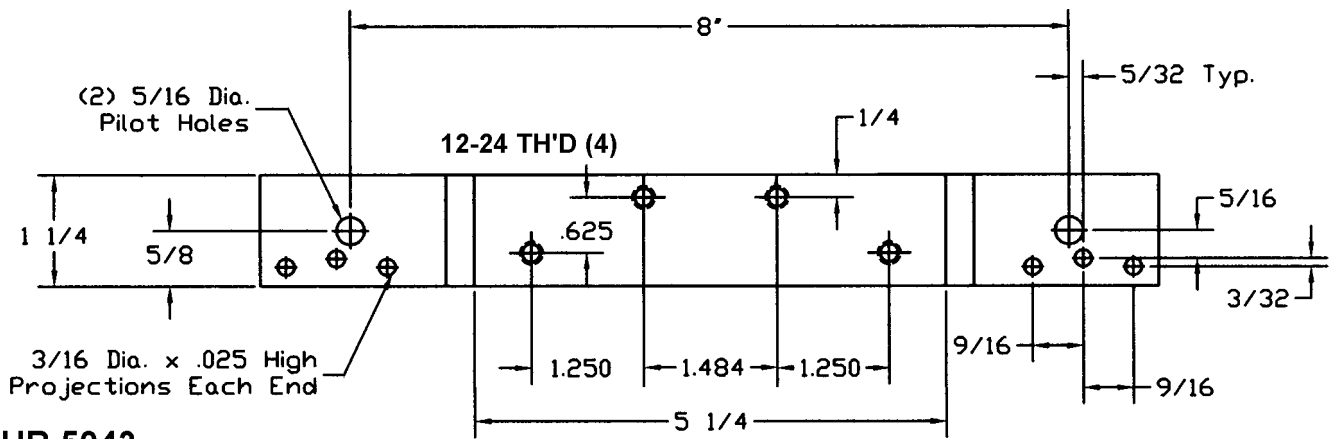


DC-4550

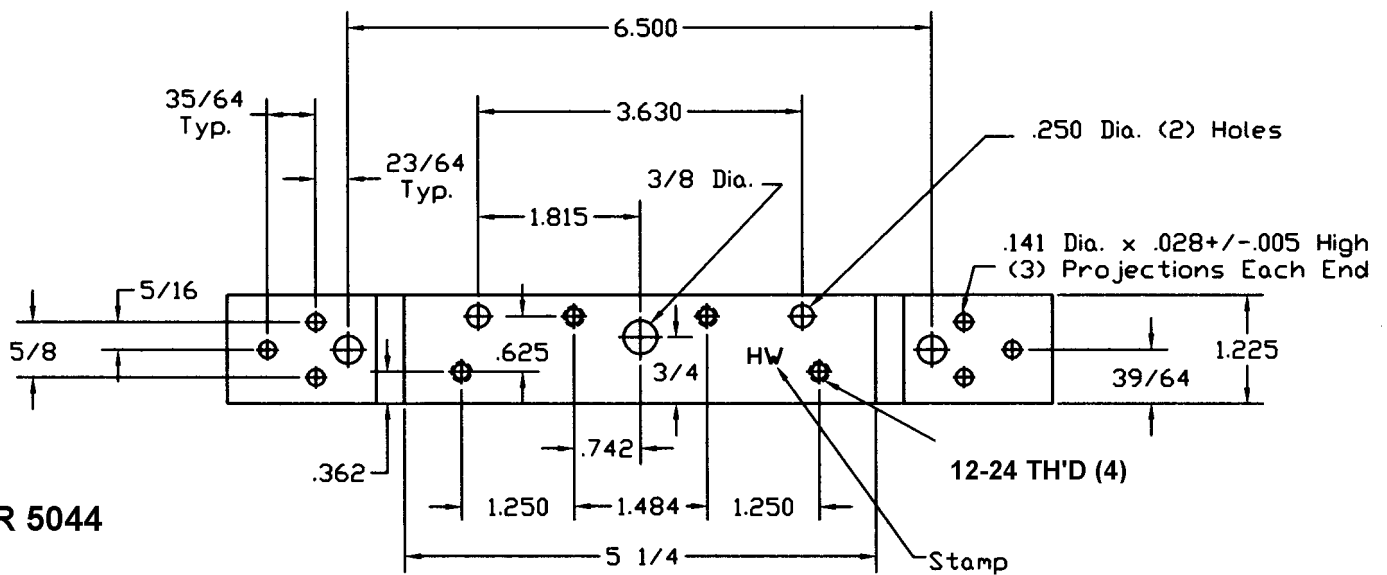


ALSO AVAILABLE AS A SPOTWELDED ASSEMBLY WITH 4 1/2" HINGE REINFORCEMENTS (24 GA)

5" HINGE HOLE PATTERNS

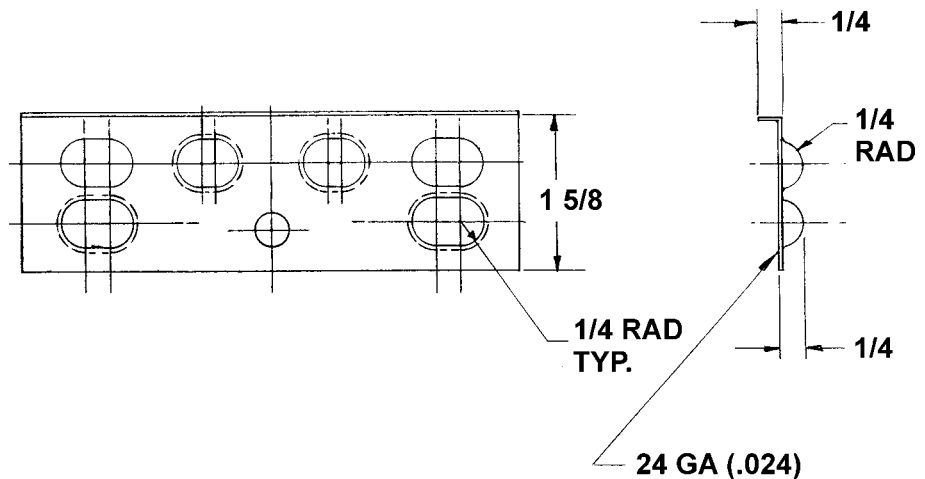


HR 5043



HR 5044

DC-4550



ALSO AVAILABLE AS A SPOTWELDED ASSEMBLY WITH 5" HINGE REINFORCEMENTS (24 GA)