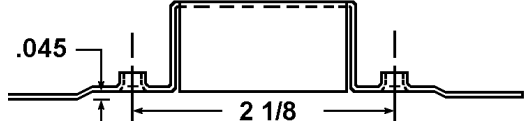
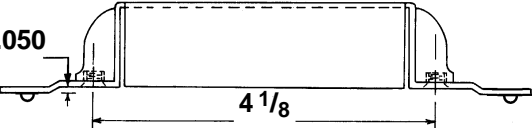
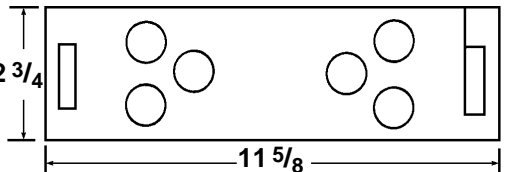
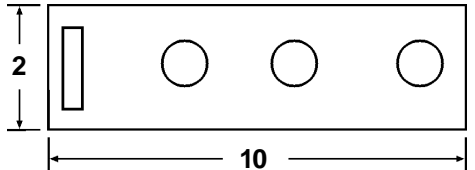
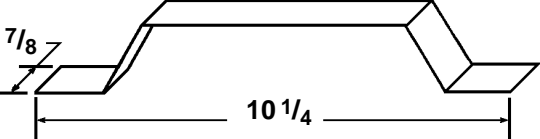


MISCELLANEOUS PARTS

Part Number	Description	
COMB-234 COMB-234E COMB-234P	<u>2 3/4" STRIKE BOX</u> CRS E.Z. with PROJECTIONS (16 GA)	
COMB-478 COMB-478E COMB-478-132 COMB-478P	<u>4 7/8" STRIKE BOX</u> with MORTAR GUARD CRS E.Z. with .032 OFFSET with PROJECTIONS (16 GA)	
MA-1216 MA-1216 E MA-1219	<u>12" MASONRY ANCHOR</u> 16 GA 16 GA E.Z. 19 GA	
MA-1016 MA-1016 E	<u>10" MASONRY ANCHOR</u> 16 GA 16 GA E.Z.	
YOKE-16 YOKE-14 YOKE-16 E YOKE-14 E	<u>YOKE FOR MASONRY ANCHOR</u> 16 GA 14 GA 16 GA E.Z. 14 GA E.Z.	
REVF-35 E	<u>REV. DOOR HINGE FILLER</u> 3501 PATTERN (25GA EZ)	