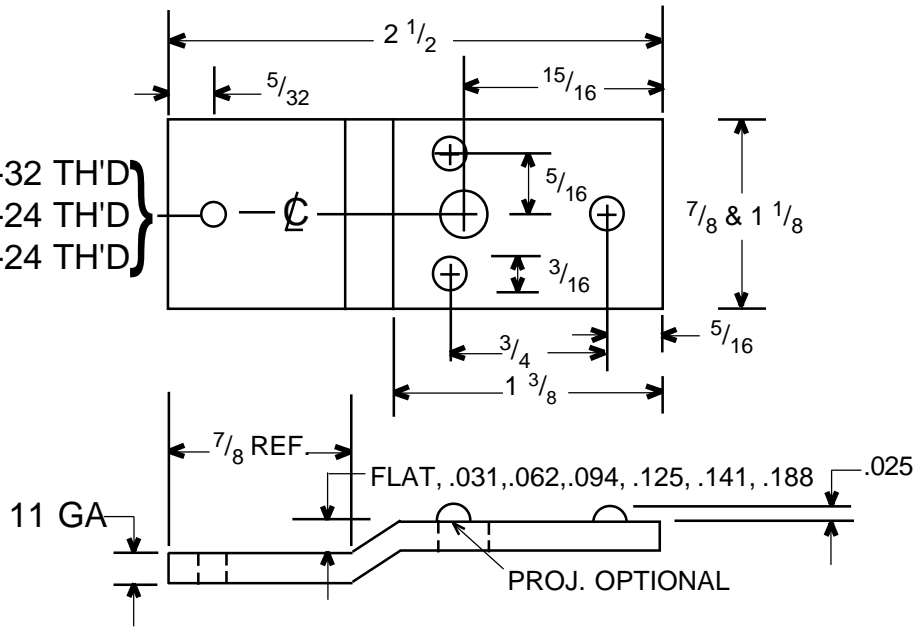


STRIKE REINFORCEMENTS

PART NO.

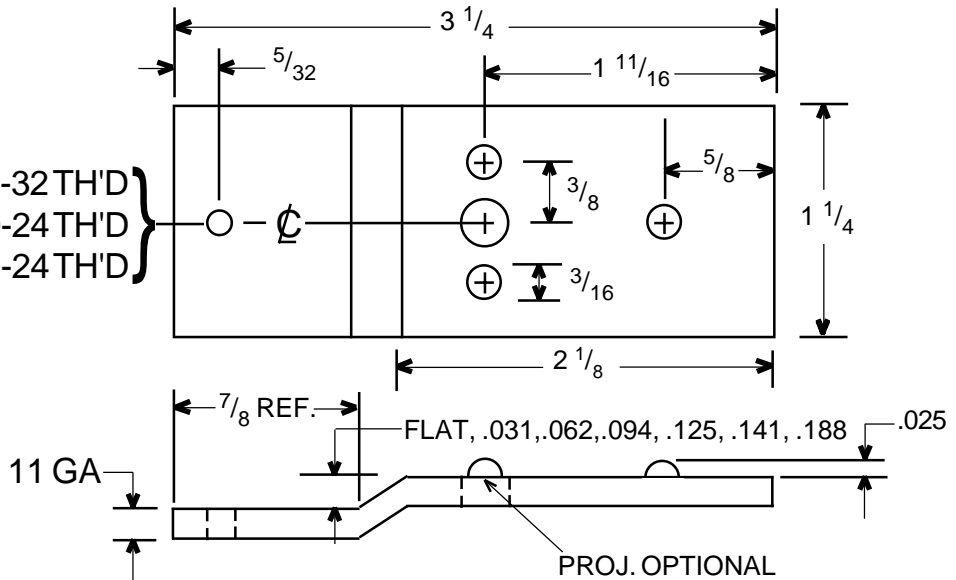
SR-01 (1 1/8 WIDE)
SR-02 (7/8 WIDE)

8-32 TH'D }
10-24 TH'D }
12-24 TH'D }



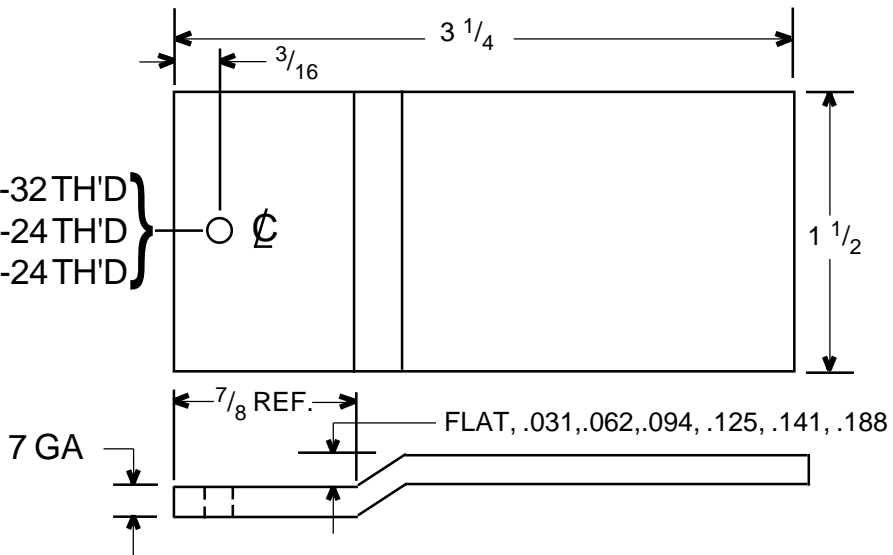
SR-03

8-32 TH'D }
10-24 TH'D }
12-24 TH'D }



SR-04

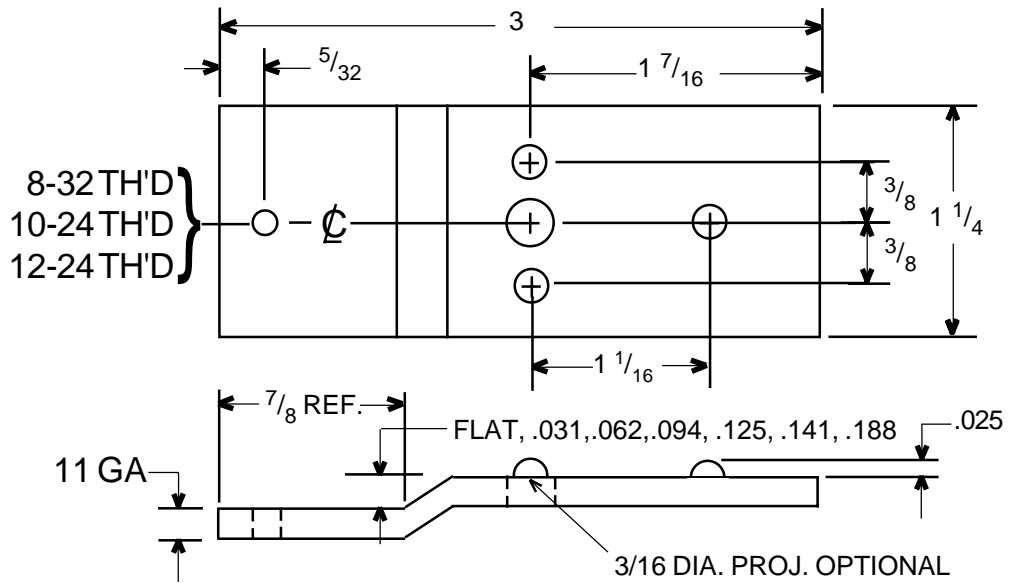
8-32 TH'D }
10-24 TH'D }
12-24 TH'D }



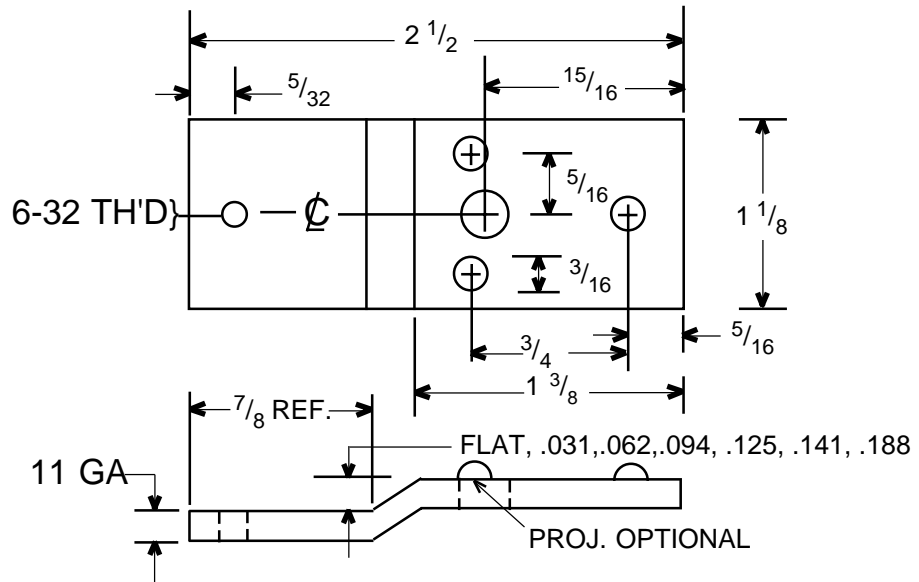
STRIKE REINFORCEMENTS

PART NO.

SR-05



SR-06

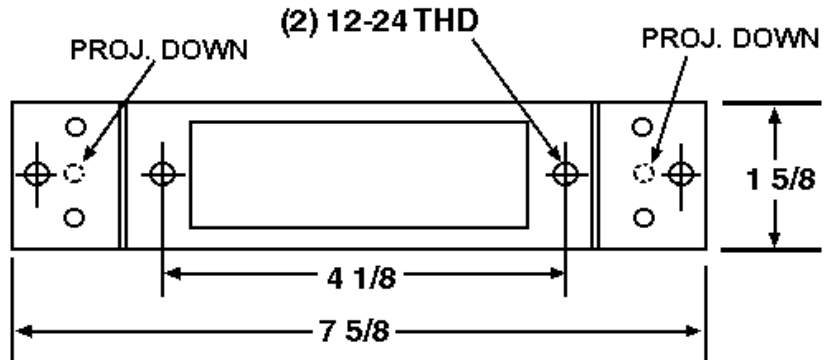


STRIKE REINFORCEMENTS

PART NO.

SR-478
 SR-478E
 SR-478-NP (NO PROJ)
 SR-478-4P (NO PROJ DOWN)

(14 GA)



SR-234P 5/8 CL
 SR-234P 1/2 CL
 SR-234 NP
 SR-234 NPZ
 SR-234PZ 1/2 CL
 SR-234PZ 5/8 CL

(14 GA)

