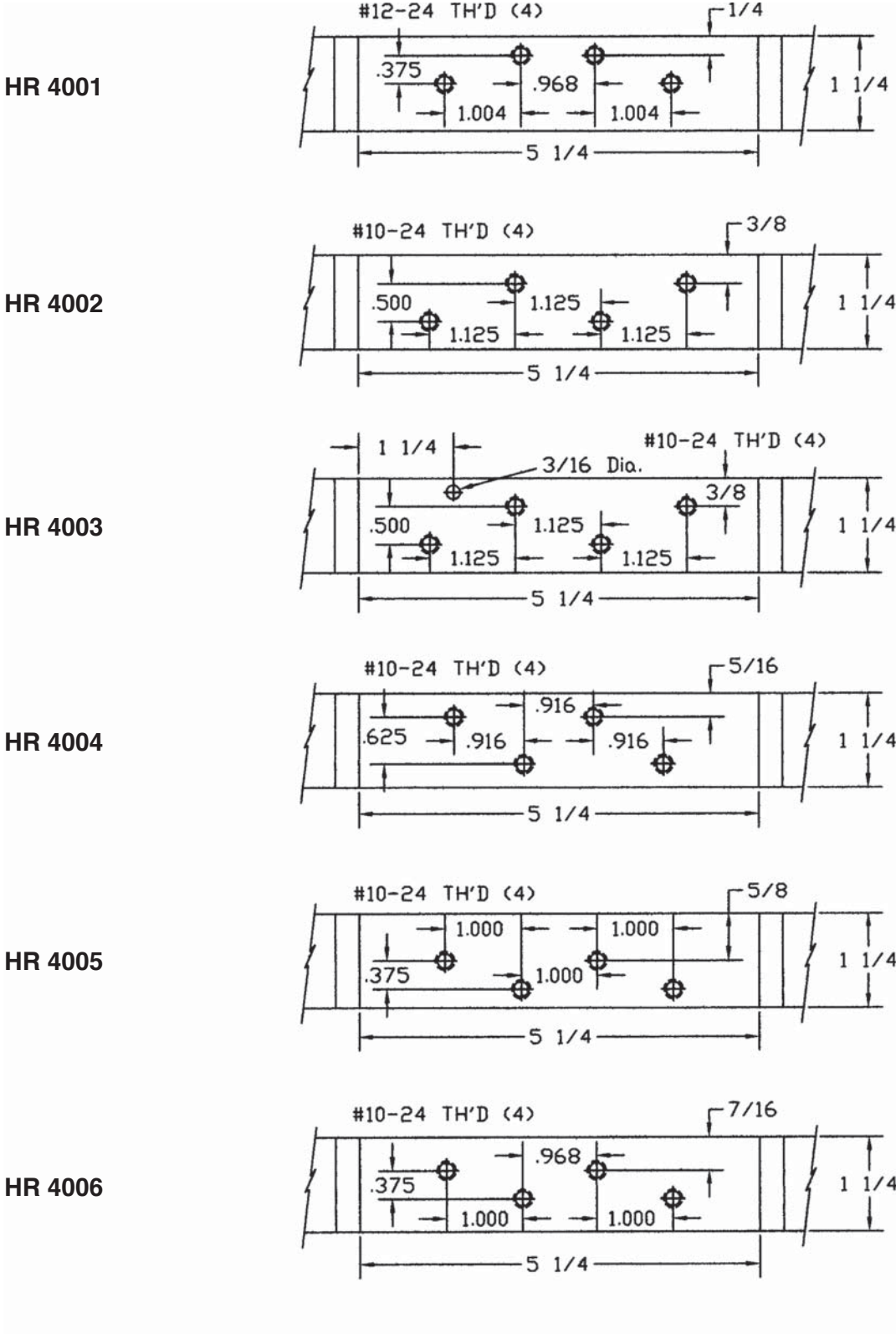
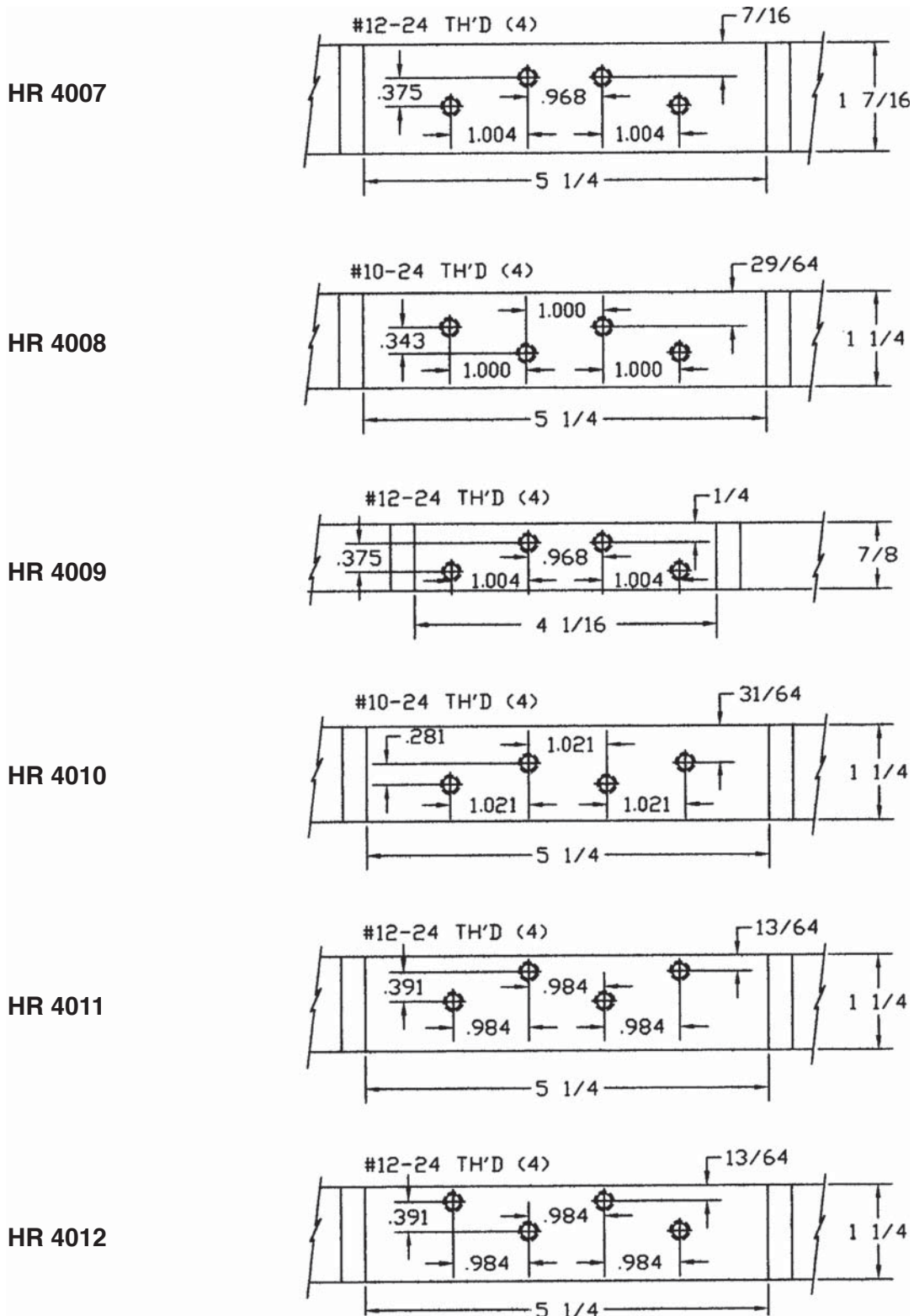


4" HINGE HOLE PATTERNS

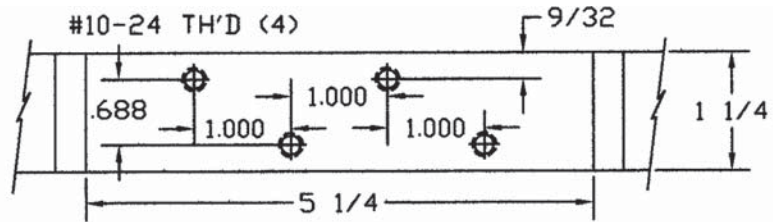


4" HINGE HOLE PATTERNS

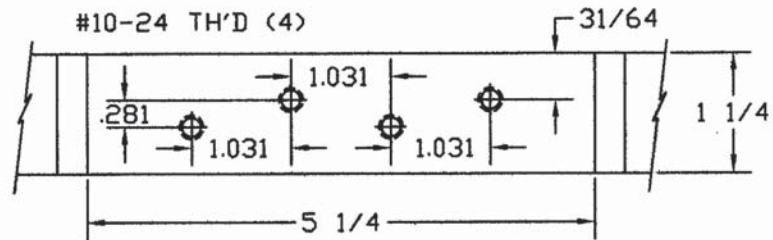


4" HINGE HOLE PATTERNS

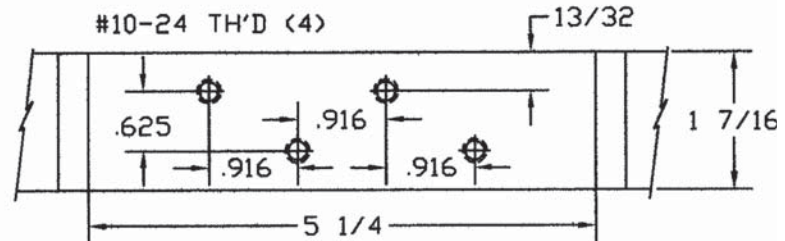
HR 4013



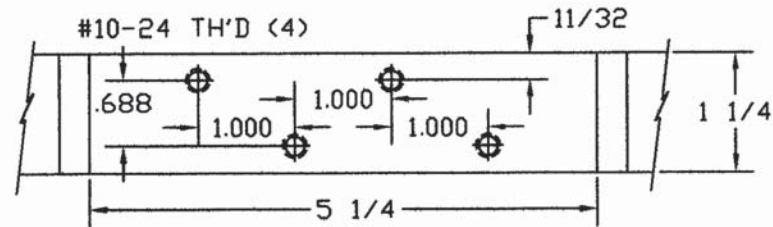
HR 4014



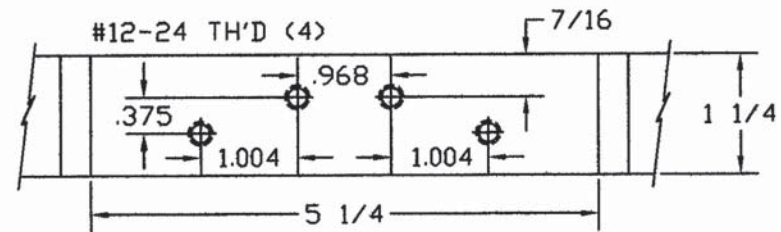
HR 4015



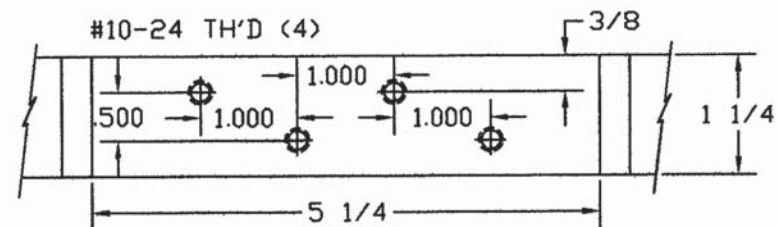
HR 4016



HR 4017

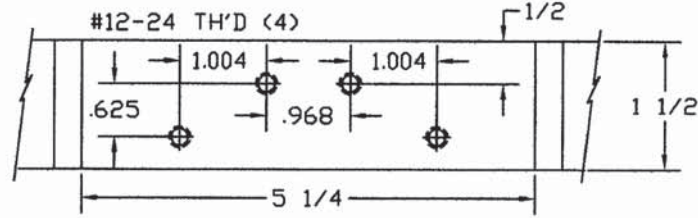


HR 4018

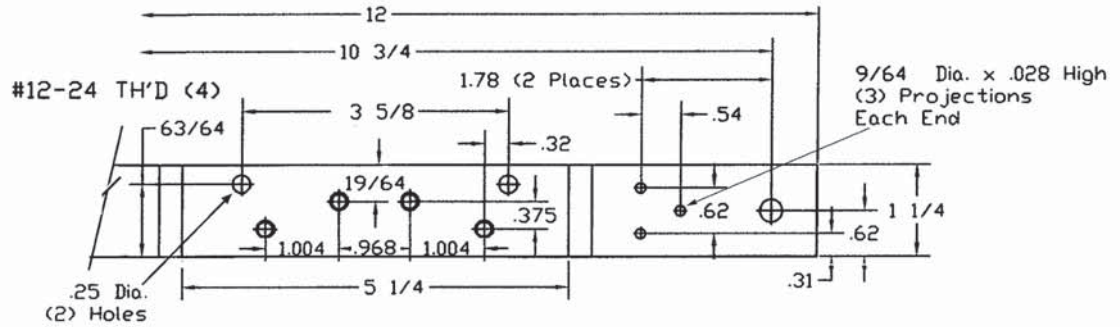


4" HINGE HOLE PATTERNS

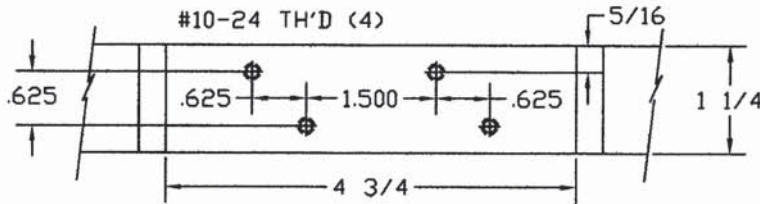
HR 4019



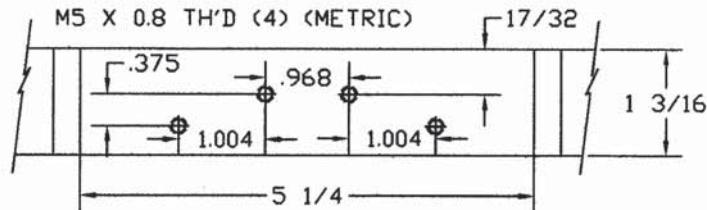
HR 4020



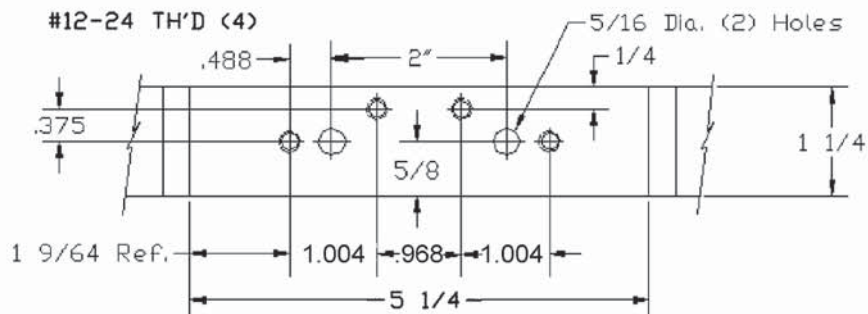
HR 4021



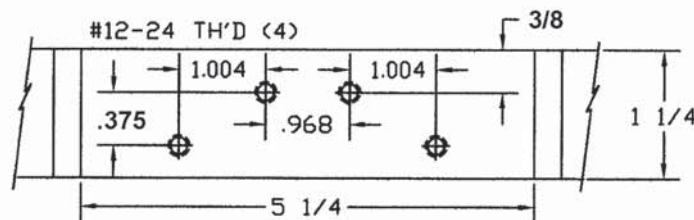
HR 4022



HR 4023



HR 4024



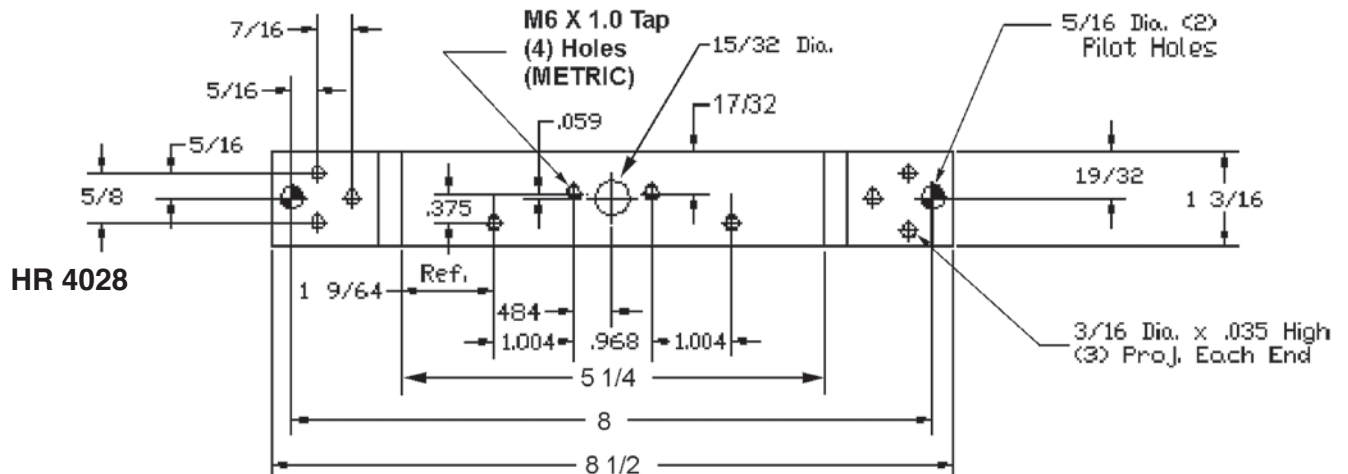
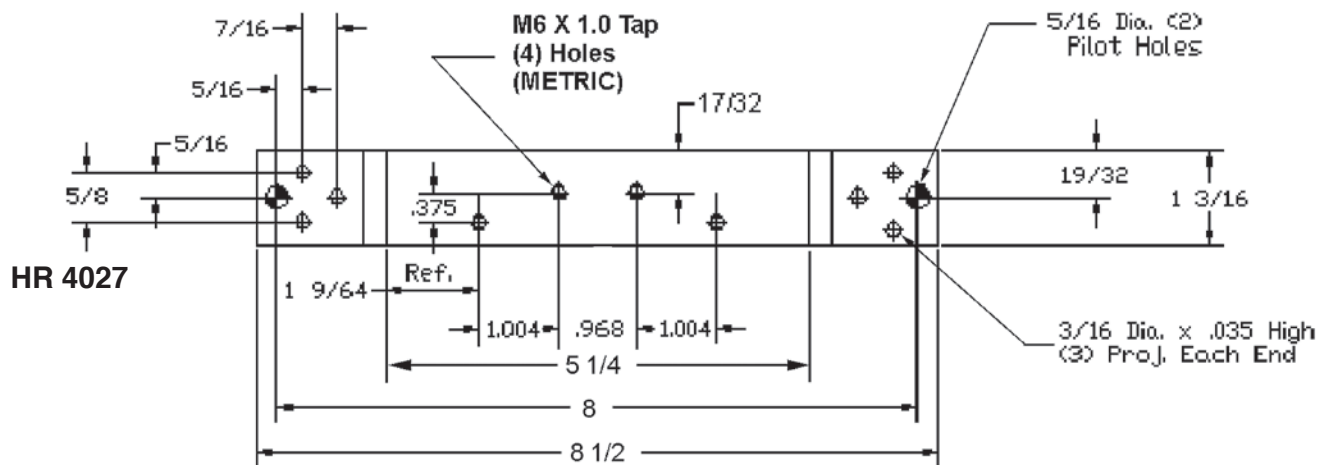
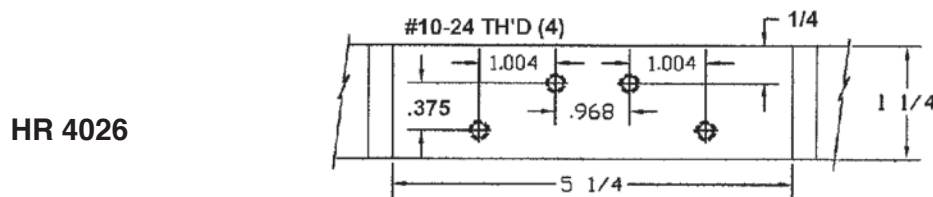
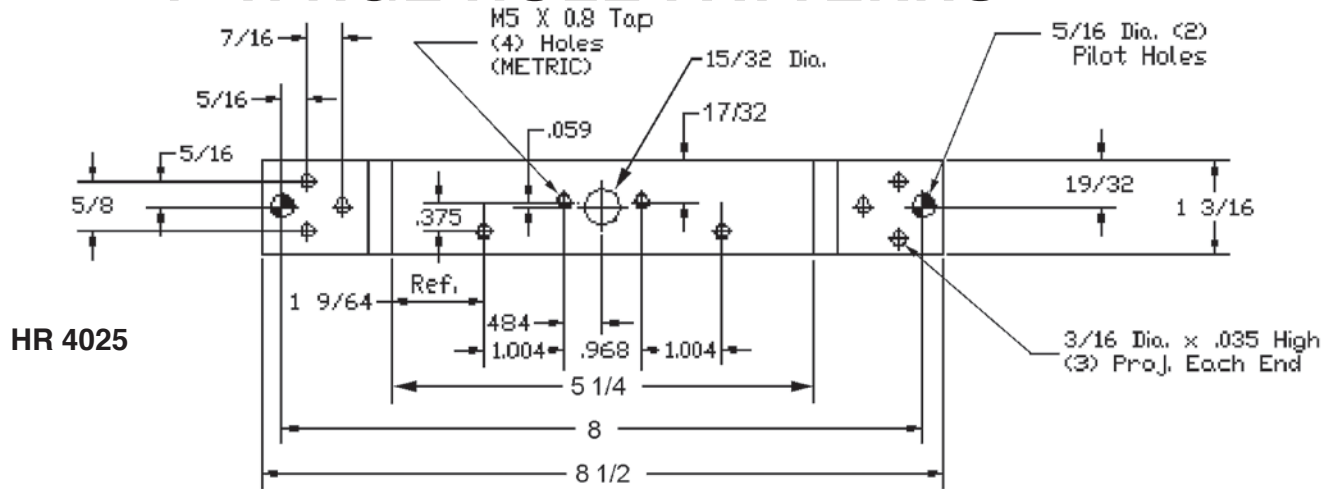
DAYTON INDUSTRIES, INC.

CATALOG NO. 0315

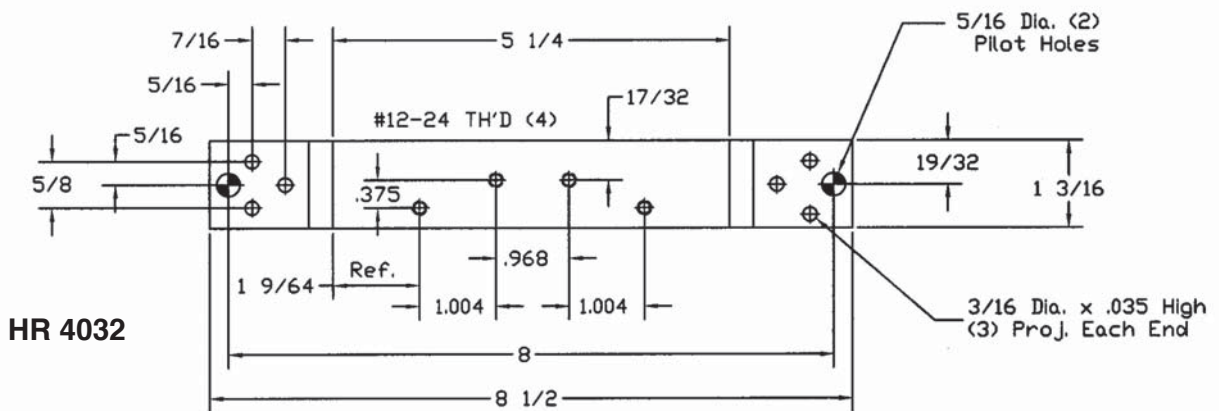
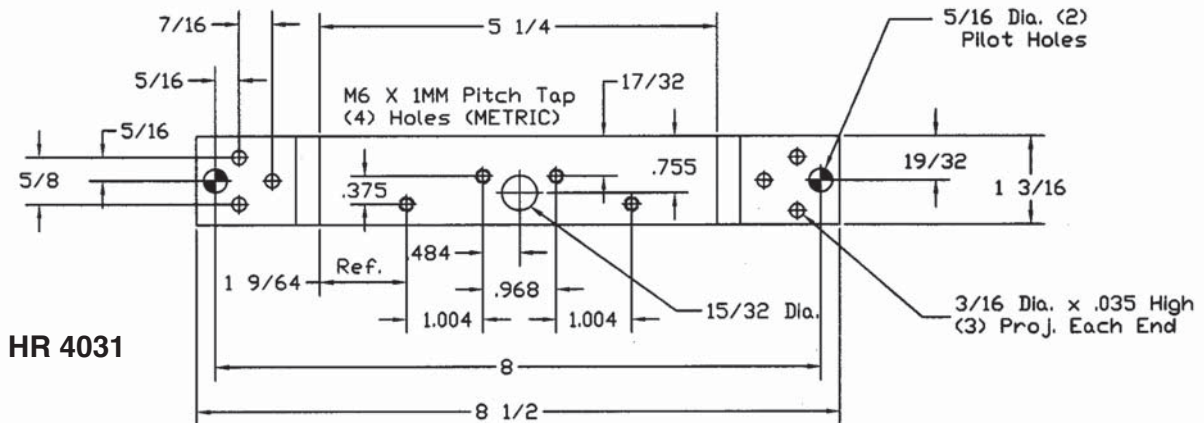
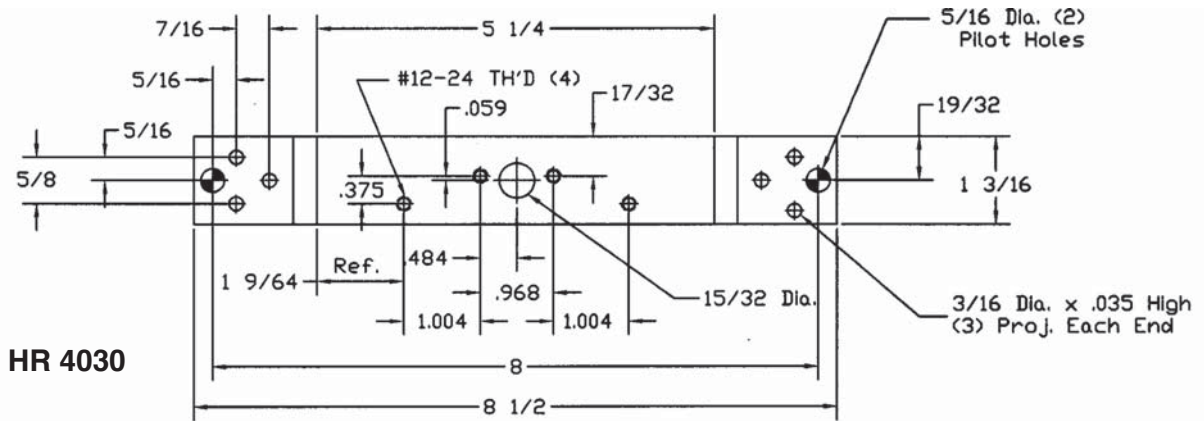
1350 GARRISON AVE., BRONX, NY 10474
(718) 542-8144 FAX:(800) 221-3932

PAGE 9

4" HINGE HOLE PATTERNS

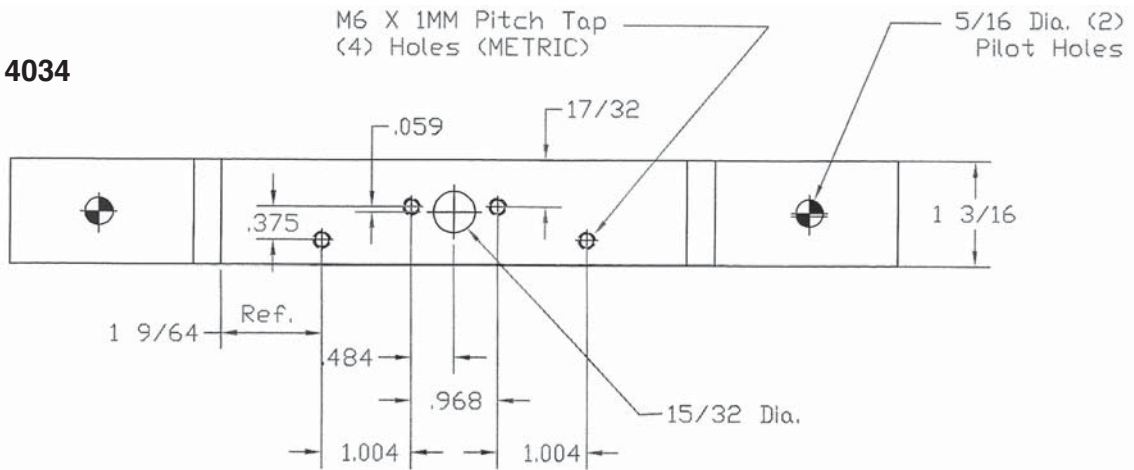


4" HINGE HOLE PATTERNS

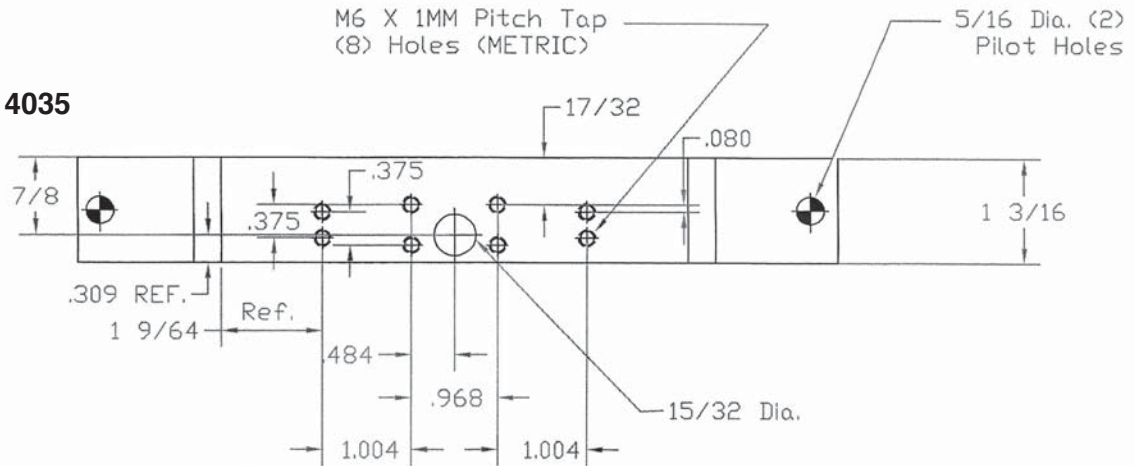


4" HINGE HOLE PATTERNS

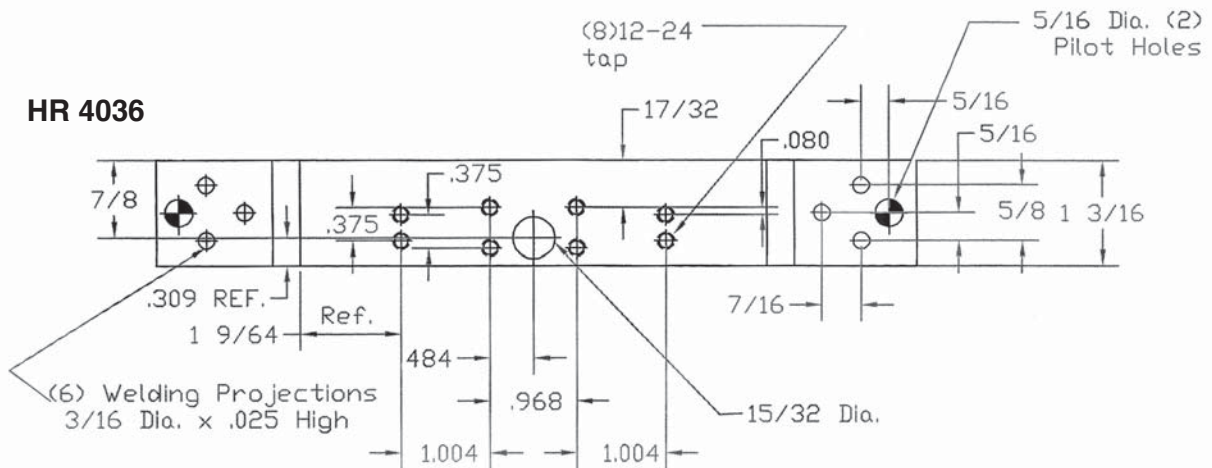
HR 4034



HR 4035

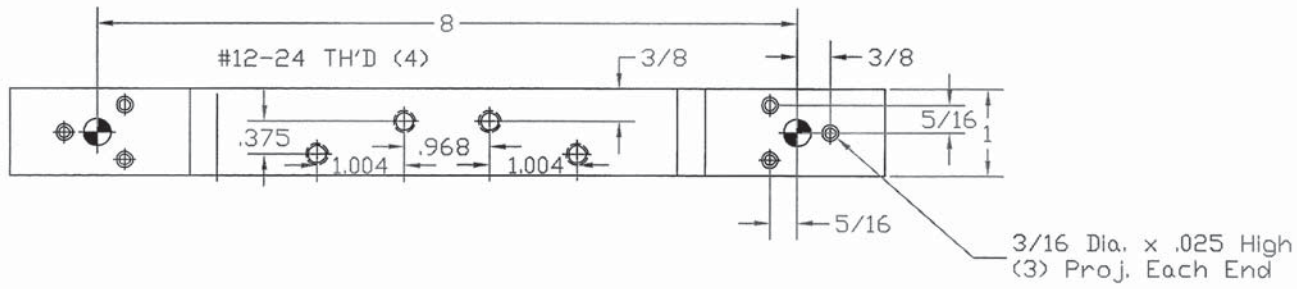


HR 4036



4" HINGE HOLE PATTERNS

HR 4037



HR 4038

