

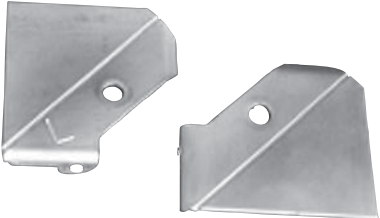
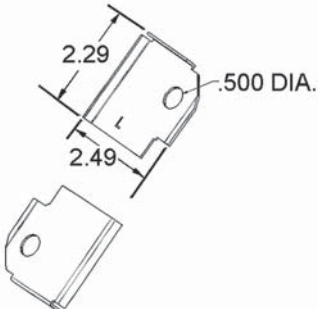


MISCELLANEOUS PARTS

Part Number	Description	
CG-18 SCORED 4D	CORNER GUSSET (18 GA)	
CG-19F	CORNER GUSSET (19 GA)	
CG-2000-L CG-2000-R CG-2000-L NP CG-2000-R NP	CORNER GUSSET-LEFT CORNER GUSSET-RIGHT NO PROJECTIONS NO PROJECTIONS (18 GA)	
CG-2004-L CG-2004-R	DRYWALL CORNER GUSSET (18 GA)	
CG-18W CG-18WP	CORNER GUSSET WINDOW MOLDING GUSSET with PROJECTIONS (18 GA)	