
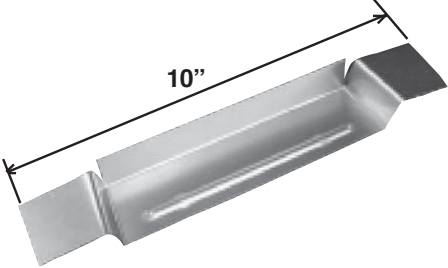
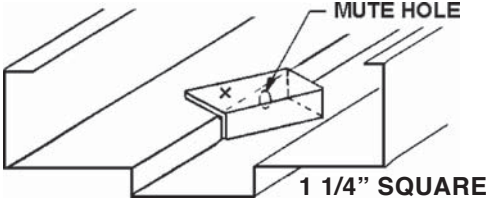

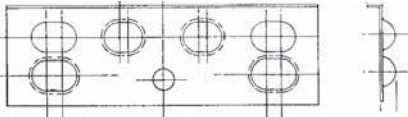


MISCELLANEOUS PARTS

Part Number	Description	
DC-TAB	<u>DUST COVER BOX</u> DUST BOX WITH TABS (24 GA EZ)	
DC-100 DC-100 E DC-100 SS DC-75 DC-75 E	<u>DUST COVER BOX</u> 1" DEEP CRS 1" DEEP E.Z. 1" DEEP STAINLESS STEEL 3/4" DEEP CRS 3/4" DEEP E.Z. (26 GA)	
DC-625 DC-626 DC-627	<u>SILENCER DUST COVER</u> 5/8" DEEP 3/4" DEEP 1" DEEP (26 GA)	
DC-50 DC-50 E DC-50 SS	<u>MUD BOX</u> CRS E.Z. STAINLESS STEEL (26 GA)	
DC-4550	<u>WELD-IN DUST COVER</u> 4 1/2" HOLE PATTERN (24 GA)	
EMB-1438 EMB-1750	<u>ELECTRICAL MUD BOX</u> 17/16" DEEP 13/4" DEEP	