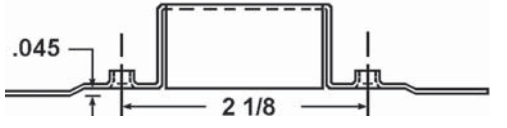
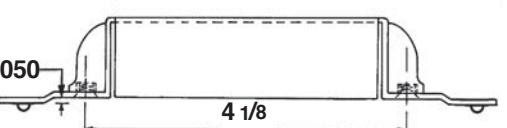
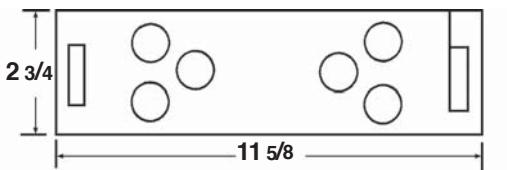
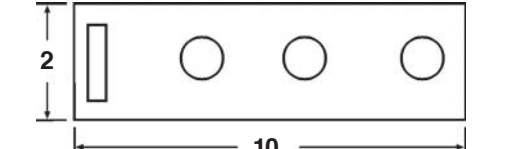
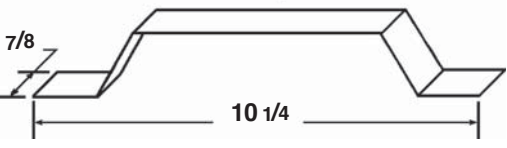


MISCELLANEOUS PARTS

Part Number	Description	
COMB-234 COMB-234E COMB-234P	<u>2 3/4" STRIKE BOX</u> CRS E.Z. with PROJECTIONS (16 GA)	
COMB-478 COMB-478E COMB-478-132 COMB-478P	<u>4 7/8" STRIKE BOX</u> with MORTAR GUARD CRS E.Z. with .032 OFFSET with PROJECTIONS (16 GA)	
MA-1216 MA-1216 E MA-1219	<u>12" MASONRY ANCHOR</u> 16 GA 16 GA E.Z. 19 GA	
MA-1016 MA-1016 E	<u>10" MASONRY ANCHOR</u> 16 GA 16 GA E.Z.	
YOKE-16 YOKE-14 YOKE-16 E YOKE-14 E	<u>YOKE FOR MASONRY ANCHOR</u> 16 GA 14 GA 16 GA E.Z. 14 GA E.Z.	
PIPE ANCHOR 434 UNEQ PIPE ANCHOR 534 UNEQ PIPE ANCHOR 534 EQ PIPE ANCHOR 634 UNEQ PIPE ANCHOR 634 EQ PIPE ANCHOR 734 UNEQ PIPE ANCHOR 834 UNEQ PIPE ANCHOR 834 EQ	EXISTING PIPE ANCHOR UNEQUAL LEGS EXISTING PIPE ANCHOR UNEQUAL LEGS EXISTING PIPE ANCHOR EQUAL LEGS EXISTING PIPE ANCHOR UNEQUAL LEGS EXISTING PIPE ANCHOR EQUAL LEGS EXISTING PIPE ANCHOR UNEQUAL LEGS EXISTING PIPE ANCHOR UNEQUAL LEGS EXISTING PIPE ANCHOR EQUAL LEGS	