
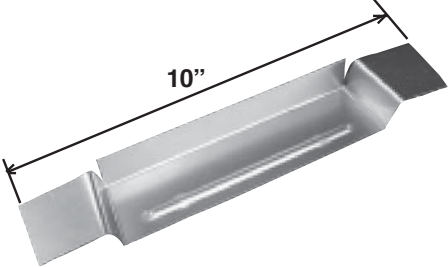
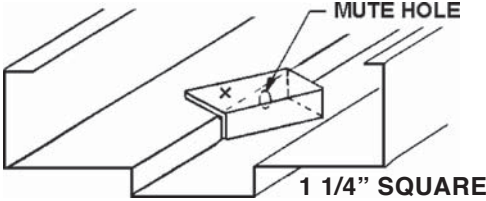

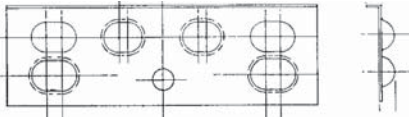
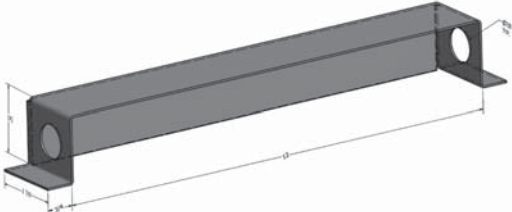


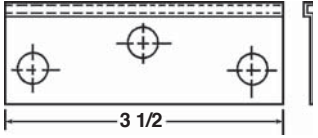
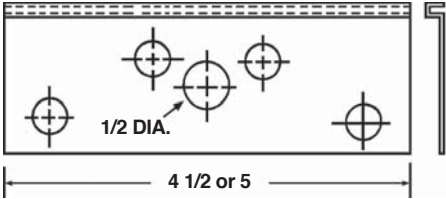

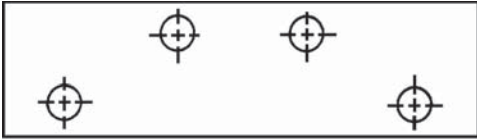
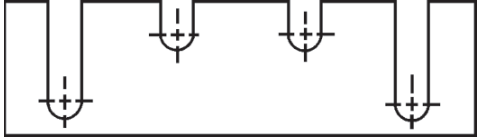
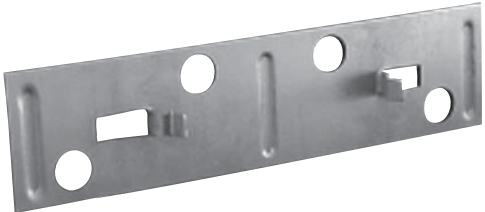
MISCELLANEOUS PARTS

Part Number	Description	
DC-TAB	<u>DUST COVER BOX</u> DUST BOX WITH TABS (24 GA EZ)	
DC-100 DC-100 E DC-100 SS DC-75 DC-75 E	<u>DUST COVER BOX</u> 1" DEEP CRS 1" DEEP E.Z. 1" DEEP STAINLESS STEEL 3/4" DEEP CRS 3/4" DEEP E.Z. (26 GA)	
DC-625 DC-626 DC-627	<u>SILENCER DUST COVER</u> 5/8" DEEP 3/4" DEEP 1" DEEP (26 GA)	
DC-50 DC-50 E DC-50 SS	<u>MUD BOX</u> CRS E.Z. STAINLESS STEEL (26 GA)	
DC-4550	<u>WELD-IN DUST COVER</u> 4 1/2" HOLE PATTERN (24 GA)	
EMB-1438 EMB-1750	<u>ELECTRICAL MUD BOX</u> 17/16" DEEP 13/4" DEEP	

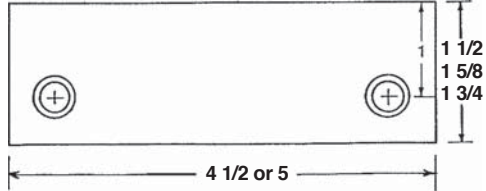
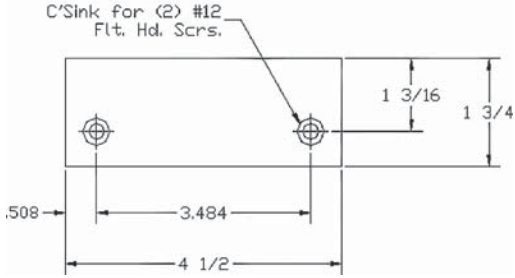
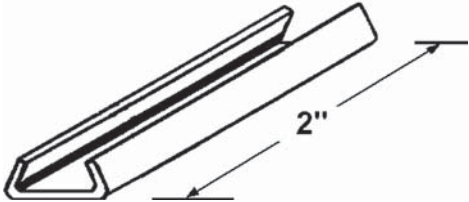
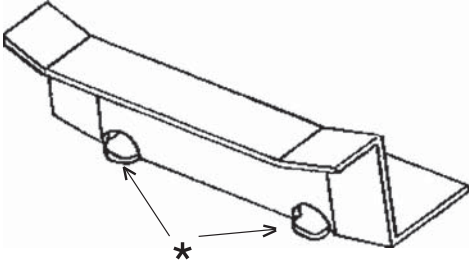
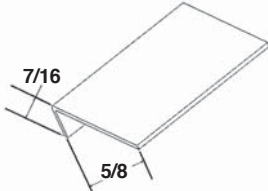
MISCELLANEOUS PARTS

Part Number	Description	
COMB-234 COMB-234E COMB-234P	<u>2 3/4" STRIKE BOX</u> CRS E.Z. with PROJECTIONS (16 GA)	
COMB-478 COMB-478E COMB-478-132 COMB-478P	<u>4 7/8" STRIKE BOX</u> with MORTAR GUARD CRS E.Z. with .032 OFFSET with PROJECTIONS (16 GA)	
MA-1216 MA-1216 E MA-1219	<u>12" MASONRY ANCHOR</u> 16 GA 16 GA E.Z. 19 GA	
MA-1016 MA-1016 E	<u>10" MASONRY ANCHOR</u> 16 GA 16 GA E.Z.	
YOKE-16 YOKE-14 YOKE-16 E YOKE-14 E	<u>YOKE FOR MASONRY ANCHOR</u> 16 GA 14 GA 16 GA E.Z. 14 GA E.Z.	
PIPE ANCHOR 434 UNEQ PIPE ANCHOR 534 UNEQ PIPE ANCHOR 534 EQ PIPE ANCHOR 634 UNEQ PIPE ANCHOR 634 EQ PIPE ANCHOR 734 UNEQ PIPE ANCHOR 834 UNEQ PIPE ANCHOR 834 EQ	EXISTING PIPE ANCHOR UNEQUAL LEGS EXISTING PIPE ANCHOR UNEQUAL LEGS EXISTING PIPE ANCHOR EQUAL LEGS EXISTING PIPE ANCHOR UNEQUAL LEGS EXISTING PIPE ANCHOR EQUAL LEGS EXISTING PIPE ANCHOR UNEQUAL LEGS EXISTING PIPE ANCHOR UNEQUAL LEGS EXISTING PIPE ANCHOR EQUAL LEGS	



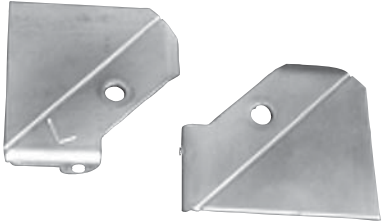
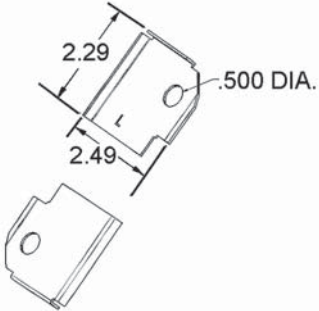
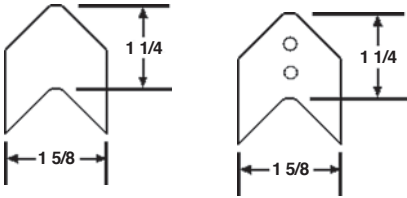
MISCELLANEOUS PARTS

Part Number	Description	
REVF-35 E	<u>REV. DOOR HINGE FILLER</u> 3501 PATTERN (25GA EZ)	
REVF-45 E REVF-45E 1/2" DIA REVF-50 E	<u>REV. DOOR HINGE FILLER</u> 4501 PATTERN 4501 PATTERN with HOLE 5001 PATTERN (25GA EZ)	
REVF-4520 E REVF-4520 E RIB	<u>REV. DOOR HINGE FILLER</u> 4501 PATTERN 4501 PATTERN with RIBS (20GA EZ)	
SHM-4522 E SHM-4516 E SHM-5022 E SHM-5016 E	<u>HINGE SHIM</u> 4501 PATTERN (22 GA EZ) 4501 PATTERN (16 GA EZ) 5001 PATTERN (22 GA EZ) 5001 PATTERN (16 GA EZ)	
SHM-4522-SL E SHM-4516-SL E SHM-5022-SL E SHM-5016-SL E	<u>HINGE SHIM, SLOTTED</u> 4501 PATTERN (22 GA EZ) 4501 PATTERN (16 GA EZ) 5001 PATTERN (22 GA EZ) 5001 PATTERN (16 GA EZ)	
SHM-SNAP IN 20GA	<u>SNAP-IN SHIM</u> 4501 PATTERN (20GA EZ)	

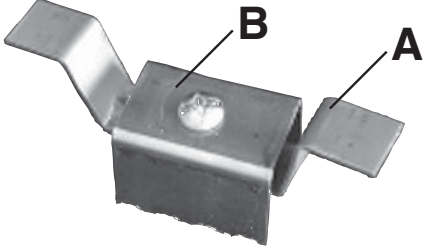
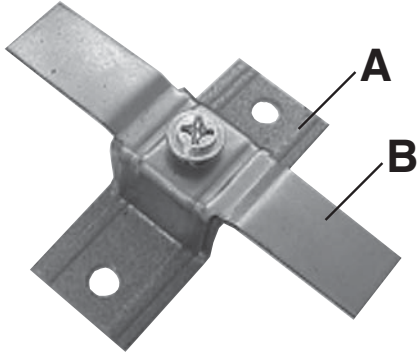
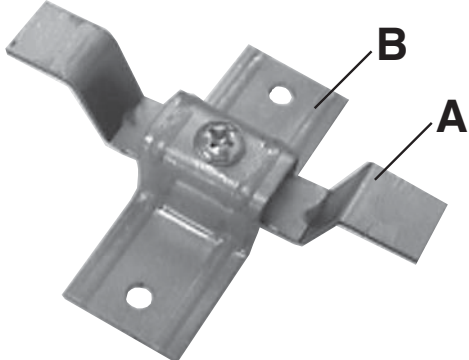
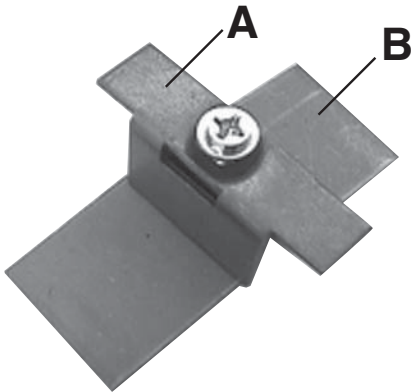
MISCELLANEOUS PARTS

Part Number	Description	
<p>HFILL-45112 HFILL-45158 HFILL-45134 HFILL-50112 HFILL-50134 HFILL-50158</p>	<p>HINGE FILLER BLANKS 4 1/2" HINGE x 1 1/2" 4 1/2" HINGE x 1 5/8" 4 1/2" HINGE x 1 3/4" 5" HINGE x 1 1/2" 5" HINGE x 1 3/4" 5" HINGE x 1 5/8" (10GA)</p>	
<p>REVDRFILL-45134</p>	<p>HINGE FILLER FOR NON-HANDED DOORS (10GA)</p>	
<p>MC-200</p>	<p>SNAP MOLDING CLIP (18 GA)</p>	
<p>MUL-16 MUL-16 E MUL-16 NO TABS MUL-12 MUL-12 NO TABS</p>	<p>MULLION CLIP CRS E.Z. without TABS (*) (16 GA) CRS without TABS (*) (12 GA)</p>	
<p>CTWI-1 CTWI-3</p>	<p>WELD-IN CORNER TAB 1 7/8" LONG 3 7/8" LONG (16 GA)</p>	

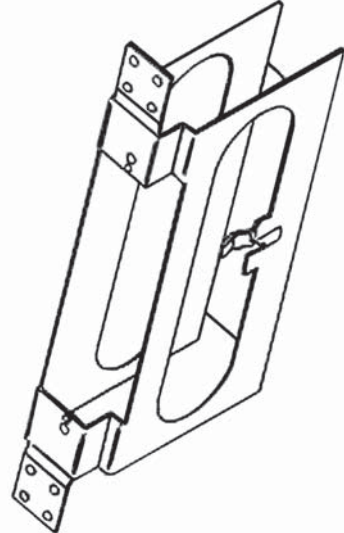
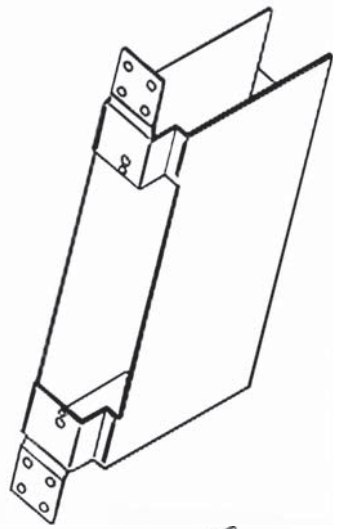
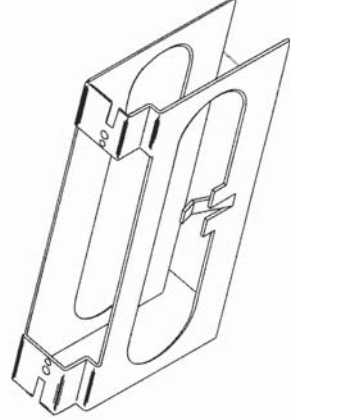
MISCELLANEOUS PARTS

Part Number	Description	
CG-18 SCORED 4D	CORNER GUSSET (18 GA)	
CG-19F	CORNER GUSSET (19 GA)	
CG-2000-L CG-2000-R CG-2000-L NP CG-2000-R NP	CORNER GUSSET-LEFT CORNER GUSSET-RIGHT NO PROJECTIONS NO PROJECTIONS (18 GA)	
CG-2004-L CG-2004-R	DRYWALL CORNER GUSSET (18 GA)	
CG-18W CG-18WP	CORNER GUSSET WINDOW MOLDING GUSSET with PROJECTIONS (18 GA)	

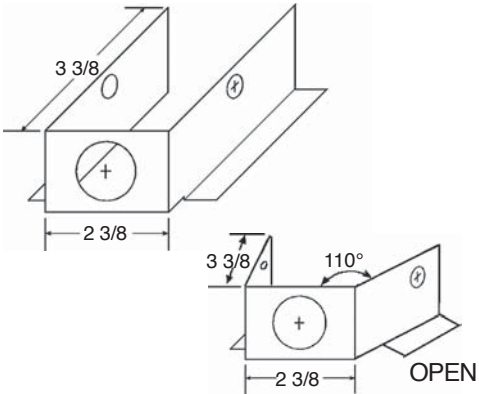
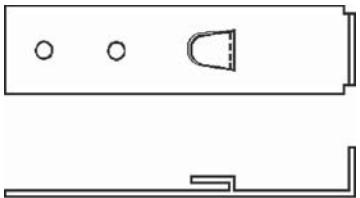
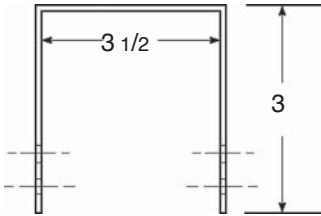
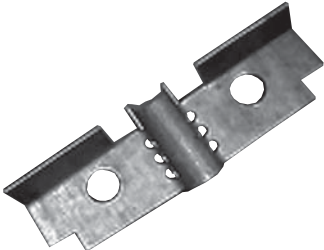
MISCELLANEOUS PARTS

Part Number	Description	
<p>PCLP-1 PCLP-1 E PCLP-1 W/PROJ.</p>	<p>PRESSURE CLAMP ASSY (WOOD STUD)</p> <p>with PROJECTIONS ("A" 16 GA, "B" 18 GA.)</p>	
<p>PCLP-2 PCLP-2 W/PROJ PCLP-2T PCLP-2ST</p>	<p>PRESSURE CLAMP ASSY (WASHER HEAD SCREW SELF LOCATES & FILLS IN FRAME HOLE)</p> <p>with PROJECTIONS TIGHT SHORT & TIGHT ("A" 16 GA E.Z., "B" 18 GA.)</p>	
<p>PCLP-3 PCLP-3 E PCLP-3 W/PROJ PCLP-3 W/PROJ E</p>	<p>PRESSURE CLAMP ASSY (STEEL STUD)</p> <p>"A" CRS, "B" EZ "A" EZ, "B" EZ "A" CRS with PROJ, "B" EZ "A" EZ with PROJ, "B" EZ</p> <p>(16 GA)</p>	
<p>PCLP - NS PCLP-NS W/PROJ</p>	<p>PRESSURE CLAMP ASSY FITS NARROW STOP FRAMES (WASHER HEAD SCREW SELF LOCATES & FILLS IN FRAME HOLE)</p> <p>with WELD PROJECTIONS</p> <p>(14 GA)</p>	

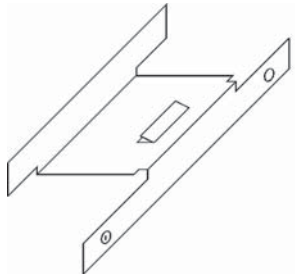
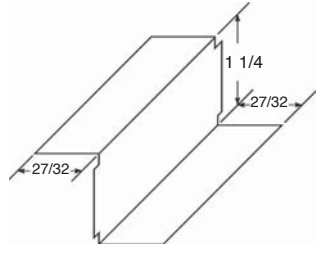
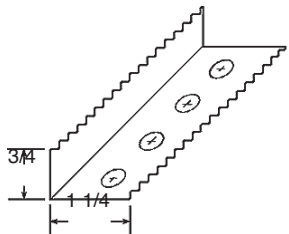
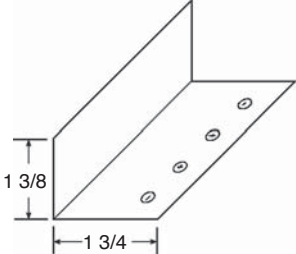
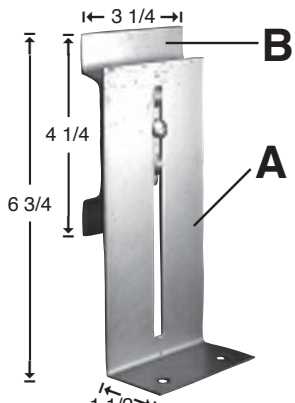
MISCELLANEOUS PARTS

Part Number	Description	
<p>MLB-BV-N 1164</p> <p>MLB-BV-P 1164</p> <p>MLB-SQ-N 1164</p> <p>MLB-SQ-P 1164</p> <p>MLB-SQ-P 1164CRS</p>	<p><u>MORTISE LOCK BOX</u></p> <p>BEVEL FACE WITH TABS, without WELD PROJECTIONS</p> <p>BEVEL FACE WITH TABS, with FOUR WELD PROJECTIONS</p> <p>SQUARE FACE WITH TABS, without WELD PROJECTIONS</p> <p>SQUARE FACE WITH TABS, with FOUR PROJECTIONS (14GA EZ)</p> <p>SQUARE FACE WITH TABS, with FOUR PROJECTIONS (14GA CRS)</p>	
<p>MLB-BVP1164 NOBL</p> <p>MLB-SQN1164 NOBL</p> <p>MLB-SQP1164 NOBL</p>	<p>BEVEL FACE WITH TABS, with FOUR WELD PROJECTIONS, FULL FACE</p> <p>SQUARE FACE WITH TABS, without WELD PROJECTIONS, FULL FACE</p> <p>SQUARE FACE WITH TABS, with FOUR WELD PROJECTIONS ON TABS,FULL FACE (14GA EZ)</p>	
<p>MLB-BV NO TABS</p> <p>MLB-SQ NO TABS</p> <p>MLB-SQ NOTABS CR</p>	<p>BEVEL FACE without TABS</p> <p>SQUARE FACE without TABS (14GA EZ)</p> <p>SQUARE FACE without TABS (14GA EZ)</p>	

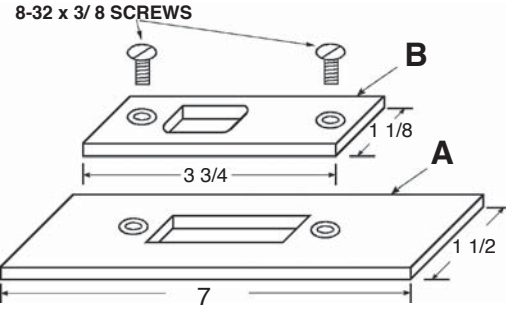
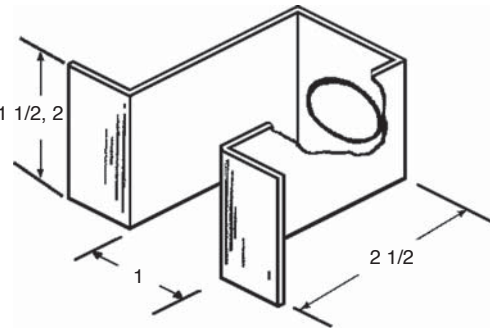
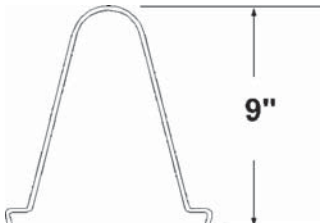
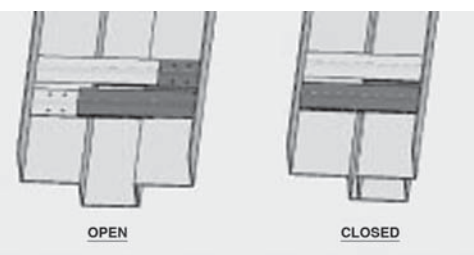
MISCELLANEOUS PARTS

Part Number	Description	
<p>LRC-118 LRC-118 OPEN LRC-100 LRC-18B</p>	<p><u>LOCK REINFORCING CHANNEL</u></p> <p>1 1/8" DIA. 1 1/8" DIA. 1" DIA. Blank</p> <p>(18 GA)</p>	
<p>DSA-18 DSA-15</p>	<p><u>DRYWALL SILL ANCHOR (SNAP IN)</u></p> <p>2" TRIM, length= 4"</p> <p>1 1/2" TRIM, length= 3 1/2"</p> <p>(18 GA)</p>	
<p>DSA-35 DSA-35 E</p>	<p><u>DRYWALL SILL ANCHOR (WELD IN)</u></p> <p>CRS ELECTRO ZINC</p> <p>(18 GA)</p>	
<p>EMA-58 E EMA-78 E</p>	<p><u>EXISTING MASONRY ANCHOR</u></p> <p>FOR 5/8" STOP FOR 7/8" STOP</p> <p>(17 GA EZ)</p>	

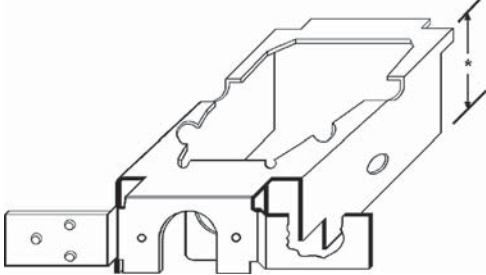
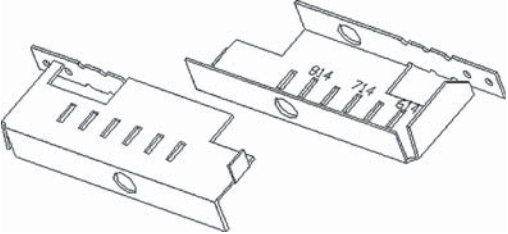
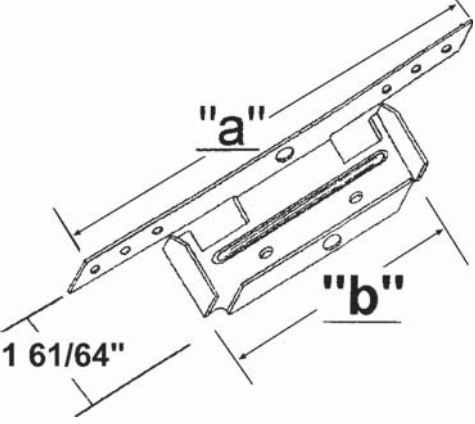
MISCELLANEOUS PARTS

Part Number	Description	
WSA-3 WSA-4	WOOD STUD ANCHOR 3" STUD 4" STUD (19 GA)	
Z-158 Z-250 Z-358 Z-600	"Z" CLIP 1 5/8" LONG 2 1/2" LONG 3 5/8" LONG 6" LONG (1 5/8" TO 12" AVAILABLE) (16 GA)	
WSS-325	WIRE STEEL STUD ANCHOR 3 1/4" LONG (16 GA)	
FLA-275 FLA-325 FLA-400 FLA-500 FLA-600 FLA-700	FLOOR ANCHOR 2 3/4" LONG 3 1/4" LONG 4" LONG 5" LONG 6" LONG 7" LONG (16 GA)	
ADJFL-14 ADJFL-14 E ADJFL-14GA P ADJFL-16 ADJFL-16 E	ADJUSTABLE FLOOR ANCHOR 14 GA E.Z. with PROJECTIONS 16 GA E.Z. (COMES WITH SCREWS)	

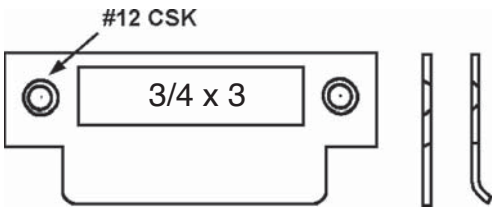
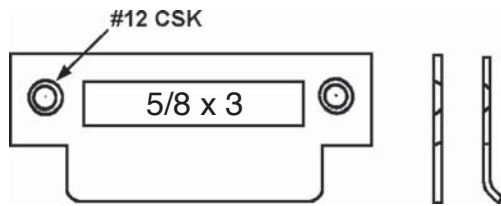
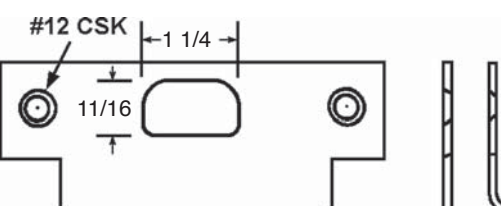
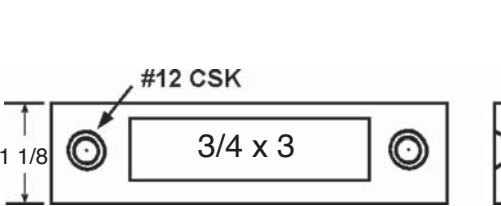
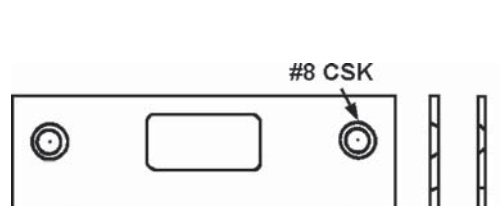
MISCELLANEOUS PARTS

Part Number	Description	
FB-REV FB-REV Z YCH FB-REV A NO HOLE FB-REV B NO HOLE	<u>REVERSIBLE FLUSH BOLT STRIKE & REINFORCEMENT</u> YELLOW CHROMATE FINISH NO CENTER HOLE NO CENTER HOLE ("A" 14 GA, "B" 16 GA)	
EXB-100-18 EXB-100-112-18 EXB-58-16 EXB-58-112-16 EXB-58-112-18 EXB-716-16 E EXB-UA-100-18	<u>EXPANSION BOLT ANCHOR</u> 1" DIAMETER HOLE 2" WIDE (18 GA) 1" DIAMETER HOLE, 1 1/2" WIDE (18 GA) 5/8" DIAMETER HOLE 2" WIDE (16 GA) 5/8" DIAMETER HOLE, 1 1/2" WIDE (16 GA) 5/8" DIAMETER HOLE, 1 1/2" WIDE (18 GA) 7/16" DIAMETER HOLE, 1 1/2" WIDE (16 GA) 1" HOLE, 2" WIDE, CUSTOMER BENDS LEGS	
WMA-7	WIRE MASONRY ANCHOR (7GA PRE-GALV)	
ADJ FRAME GUIDE	ADJUSTABLE FRAME GUIDE (16 GA EZ)	

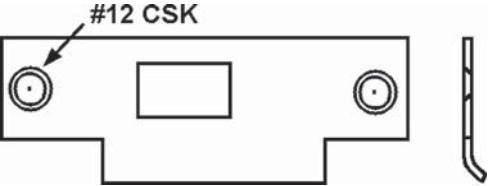
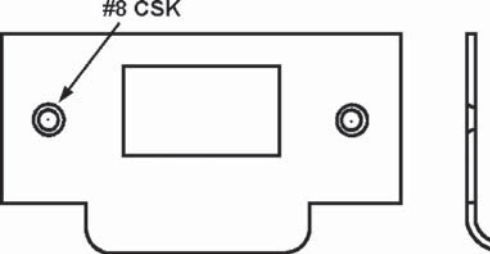
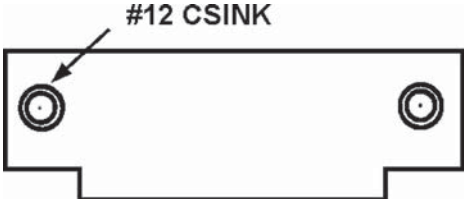
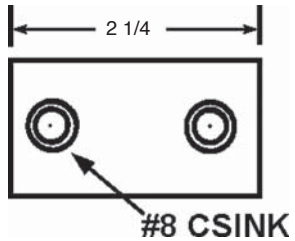
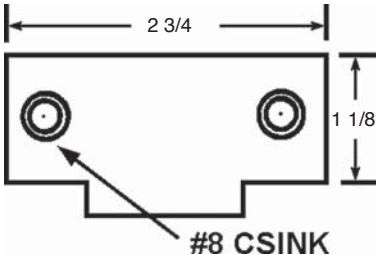
MISCELLANEOUS PARTS

Part Number	Description																									
<p>CLB-BV-N 158 CLB-BV-N 158E CLB-BV-P 158 CLB-SQ-N 158 CLB-SQ-N 158E CLB-SQ-P 158 CLB-SQ-P 158E CLB-BV-N 11932 CLB-BV-P 11932 CLB-BV-N 11932E CLB-BV-P 11932E CLB-SQ-N 11932E CLB-SQ-P 11932E CLB-BV-N 158E062</p>	<p>CYLINDER LOCK BOX (CONFORMS TO ADA TEMPLATES) BEVEL, NO PROJECTIONS BEVEL, NO PROJ., E.Z. BEVEL, with PROJECTIONS SQUARE, NO PROJECTIONS SQUARE, NO PROJ, E.Z. SQUARE, with PROJECTIONS SQUARE, with PROJ, E.Z. BEVEL, NO PROJECTIONS BEVEL, with PROJECTIONS BEVEL, NO PROJ, E.Z. BEVEL, with PROJ, E.Z. SQUARE, NO PROJ, E.Z. SQUARE, with PROJ, E.Z. BEVEL, NO PROJ, E.Z., .062 OFFSET</p> <p>(16GA)</p>	 <p>*158 = 1 5/8" LEG HEIGHT *11932 = 1 19/32" LEG HEIGHT</p> <p>STANDARD OFFSET=.109, (UNLESS OTHERWISE NOTED)</p>																								
<p>SIA-ADJ 534-834 (ORDER 2 PCS FOR EACH PAIR)</p>	<p>ADJUSTABLE SNAP-IN ANCHOR 5 3/4"- 8 3/4"</p> <p>2 PCS/ANCHOR</p> <p>(18 GA E.Z.)</p>																									
<p>SIA-534 ANCHOR SIA-LONG-434 SIA-LONG-534 SIA-LONG-614 SIA-LONG-634 SIA-LONG-714 SIA-LONG-734 SIA-LONG-814 SIA-LONG-834 SIA-LONG-1100 SIA-LONG-1134</p>	<p>SNAP IN ANCHOR FOR 4 3/4" - 11" FRAMES</p> <table border="1" data-bbox="483 1335 792 1797"> <thead> <tr> <th>"a"</th> <th>"b"</th> </tr> </thead> <tbody> <tr> <td>7"</td> <td>5-3/4"</td> </tr> <tr> <td>8-1/4"</td> <td>4-3/4"</td> </tr> <tr> <td>9-1/4"</td> <td>5-3/4"</td> </tr> <tr> <td>9-3/4"</td> <td>6-1/4"</td> </tr> <tr> <td>10-1/4"</td> <td>6-3/4"</td> </tr> <tr> <td>10-3/4"</td> <td>7-1/4"</td> </tr> <tr> <td>11-1/4"</td> <td>7-3/4"</td> </tr> <tr> <td>11-3/4"</td> <td>8-1/4"</td> </tr> <tr> <td>12-1/4"</td> <td>8-3/4"</td> </tr> <tr> <td>14-1/2"</td> <td>11"</td> </tr> <tr> <td>15-1/4"</td> <td>11 3/4"</td> </tr> </tbody> </table>	"a"	"b"	7"	5-3/4"	8-1/4"	4-3/4"	9-1/4"	5-3/4"	9-3/4"	6-1/4"	10-1/4"	6-3/4"	10-3/4"	7-1/4"	11-1/4"	7-3/4"	11-3/4"	8-1/4"	12-1/4"	8-3/4"	14-1/2"	11"	15-1/4"	11 3/4"	 <p>(18 GA E.Z.)</p>
"a"	"b"																									
7"	5-3/4"																									
8-1/4"	4-3/4"																									
9-1/4"	5-3/4"																									
9-3/4"	6-1/4"																									
10-1/4"	6-3/4"																									
10-3/4"	7-1/4"																									
11-1/4"	7-3/4"																									
11-3/4"	8-1/4"																									
12-1/4"	8-3/4"																									
14-1/2"	11"																									
15-1/4"	11 3/4"																									

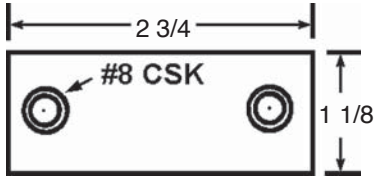
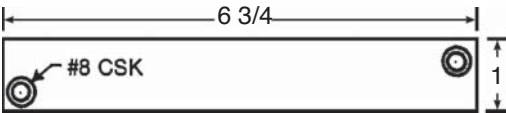
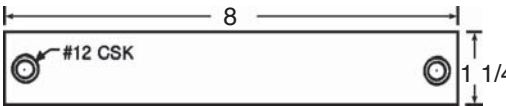
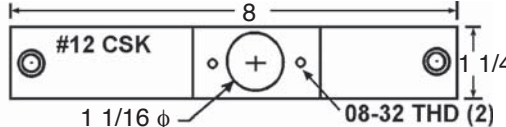
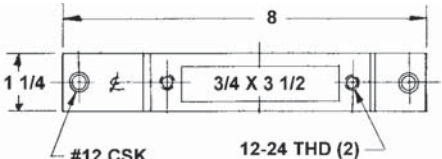
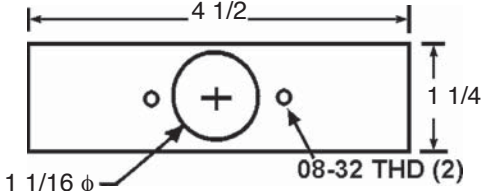
MISCELLANEOUS PARTS

Part Number	Description	
SP-47830C SP-47830S SP-478-BC SP-478-BS	<u>4 7/8" STRIKE PLATE</u> CURVED STRAIGHT BLANK CURVED BLANK STRAIGHT (13 GA)	
SP-47836C SP-47836S	<u>4 7/8" STRIKE PLATE</u> CURVED STRAIGHT (13 GA)	
SP-47812C SP-47812S	<u>4 7/8" STRIKE PLATE</u> CURVED, ALSO IN BRASS OR CHROME STRAIGHT (13 GA)	
SP-47831	<u>4 7/8" STRIKE PLATE</u> (13 GA)	
SP-41730S	<u>4 7/8" STRIKE PLATE</u> STRAIGHT (17 GA)	

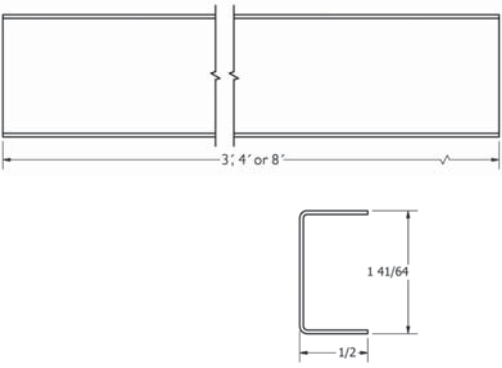
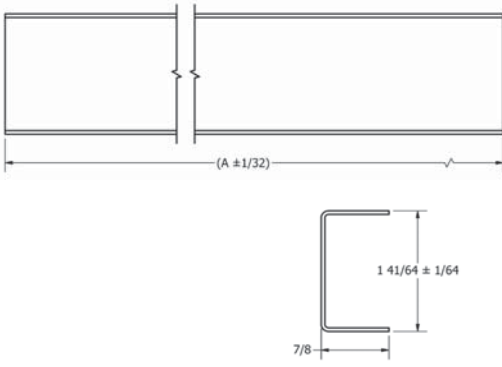
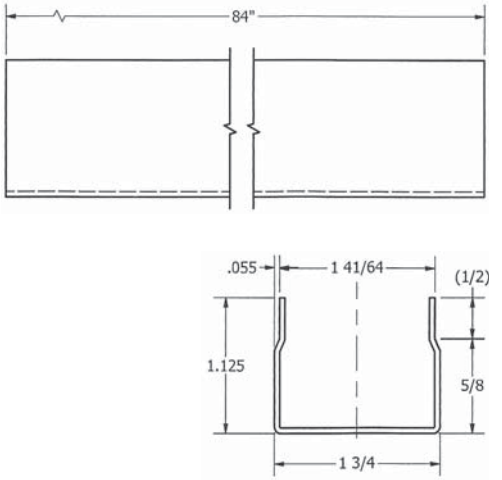
MISCELLANEOUS PARTS

Part Number	Description	
SP-478RH SP-478LH	<u>4 7/8" STRIKE PLATE</u> RIGHT HAND LEFT HAND (13 GA)	
SP-23402	<u>2 3/4" STRIKE PLATE</u> (16 GA)	
FILP-47800	<u>4 7/8" FILLER PLATE</u> (13 GA)	
FILP-21401 FILP-21402 FILP-21403	<u>2 1/4" FILLER PLATE</u> 1 1/8" WIDE (11 GA) 1" WIDE (11 GA) 15/16" WIDE (16 GA)	
FILP-23401 FILP-23402	<u>2 3/4" FILLER PLATE</u> 1 3/8" WIDE 1 9/16" WIDE (16 GA)	

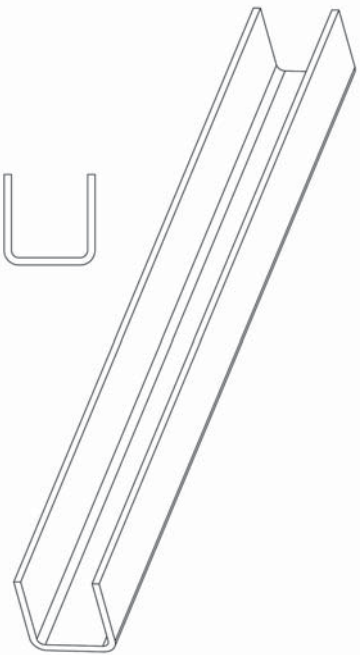
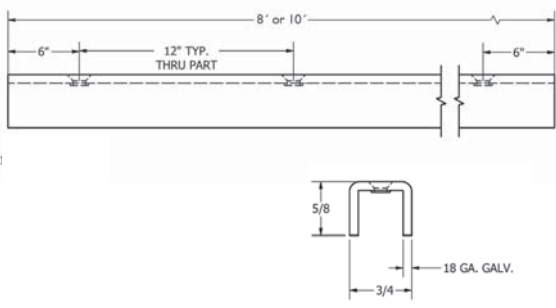
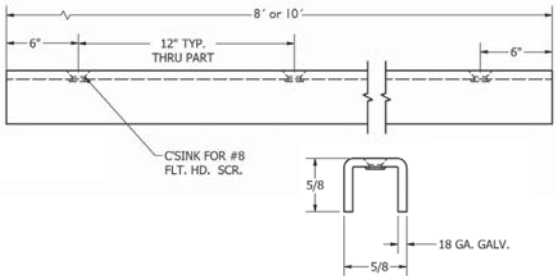
MISCELLANEOUS PARTS

Part Number	Description	
FILP-23403 FILP-23404	<u>2 3/4" FILLER PLATE</u> (12 GA) (16 GA)	
FILP-63400	<u>6 3/4" FILLER PLATE</u> (11 GA)	
FILP-80010	<u>8" FILLER PLATE</u> (7 GA)	
CONV-86161	<u>CONVERSION PLATE</u> <u>#86 TO #161</u> (7 GA)	
CONV-86-ASA	<u>CONVERSION PLATE</u> <u>#86 TO ASA</u> (7 GA)	
LKRF-16100	<u>#161 LOCK REINFORCEMENT</u> (7 GA)	

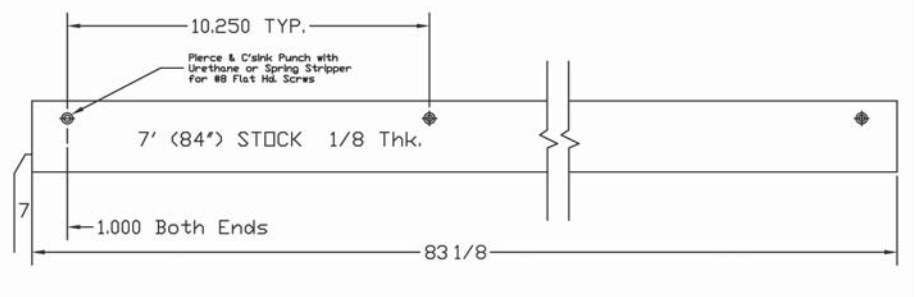
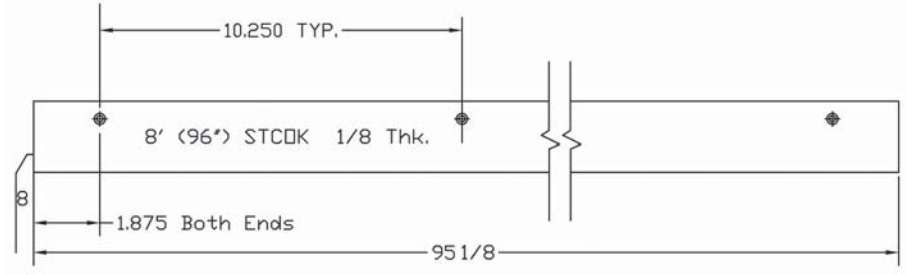
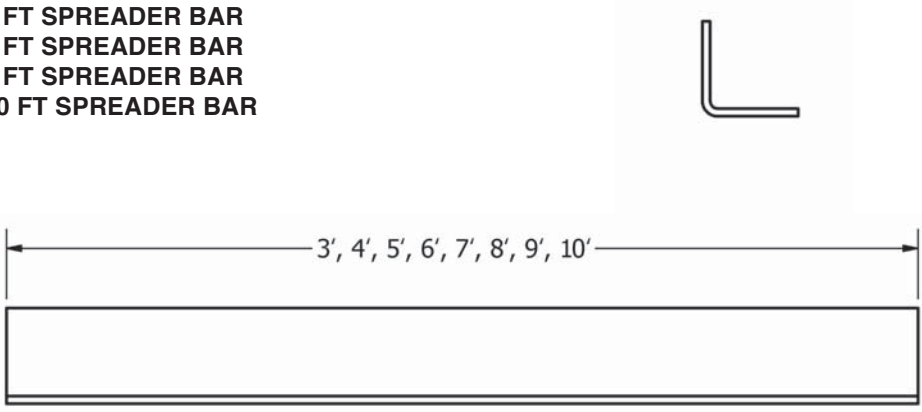
MISCELLANEOUS PARTS

Part Number	Description	
<p>DOOR CH-3</p> <p>DOOR CH-4</p> <p>DOOR CH-8</p>	<p>DOOR CHANNEL-3' WITH 1/2" LEG</p> <p>DOOR CHANNEL-4' WITH 1/2" LEG</p> <p>DOOR CHANNEL 8' WITH 1/2" LEG</p>	
<p>DOOR CH2-3</p> <p>DOOR CH2-8</p>	<p>3 FOOT DOOR CHANNEL WITH 7/8" LEG</p> <p>8 FOOT DOOR CHANNEL WITH 7/8" LEG</p>	
<p>DOOR EDGE CH-7</p>	<p>7 FOOT DOOR CHANNEL WITH 1 1/8" LEG</p>	

MISCELLANEOUS PARTS

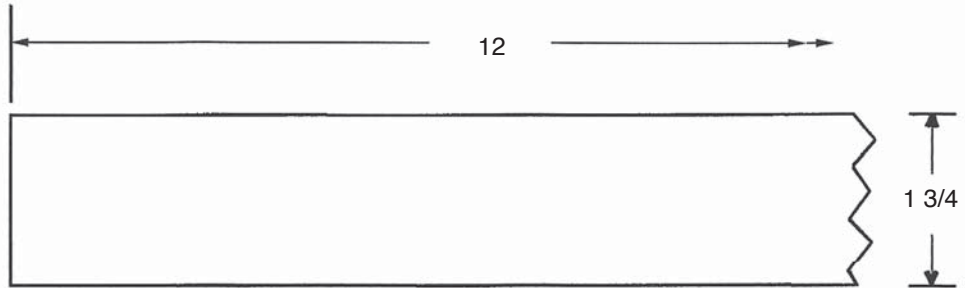
Part Number	Description	
GB-3-58x58x58	GLAZING BEAD 5/8" x 5/8" x 5/8" x 3' & W NO HOLES	
GB-4-58x58x58	GLAZING BEAD 5/8" x 5/8" x 5/8" x 4' & W NO HOLES	
GB-5-58x58x58	GLAZING BEAD 5/8" x 5/8" x 5/8" x 5' & W NO HOLES	
GB-6-58x58x58	GLAZING BEAD 5/8" x 5/8" x 5/8" x 6' & W NO HOLES	
GB-7-58x58x58	GLAZING BEAD 5/8" x 5/8" x 5/8" x 7' & W NO HOLES	
GB-8-58x58x58	GLAZING BEAD 5/8" x 5/8" x 5/8" x 8' & W NO HOLES	
GB-10-58x58x58	GLAZING BEAD 5/8" x 5/8" x 5/8" x 10' & W NO HOLES	
GB-10-58x58x58 16 GREY	GLAZING BEAD W NO HOLES 16GA EZ PRIMED	
GB-10-58x58x58 20GA	GLAZING BEAD 5/8" x 5/8" x 5/8" x 10' & W NO HOLES 20 GA	
GB-10-58x34x58	GLAZING BEAD 5/8" x 3/4" x 5/8" x 3' & W NO HOLES	
<p data-bbox="147 1140 402 1182">GBCS-8-58x34x58</p> <p data-bbox="147 1224 402 1266">GBCS-10-58x34x58</p>	<p data-bbox="402 1140 889 1203">GLAZING BEAD 5/8" x 3/4" x 5/8" x 8' & W PUNCHED & CSNK</p> <p data-bbox="402 1224 889 1287">GLAZING BEAD 5/8" x 3/4" x 5/8" x 10' & W PUNCHED & CSNK</p>	
<p data-bbox="147 1528 402 1570">GBCS-8-58x58x58</p> <p data-bbox="147 1612 402 1654">GBCS-10-58x58x58</p> <p data-bbox="147 1696 402 1759">GBCS-10-58x58x58 16 GREY</p>	<p data-bbox="402 1528 889 1591">GLAZING BEAD 5/8" x 5/8" x 5/8" x 8' & W PUNCHED & CSNK</p> <p data-bbox="402 1612 889 1675">GLAZING BEAD 5/8" x 5/8" x 5/8" x 10' & W PUNCHED & CSNK</p> <p data-bbox="402 1696 889 1759">GLAZING BEAD & W PUNCHED & CSN PRIMED GREY</p>	

MISCELLANEOUS PARTS

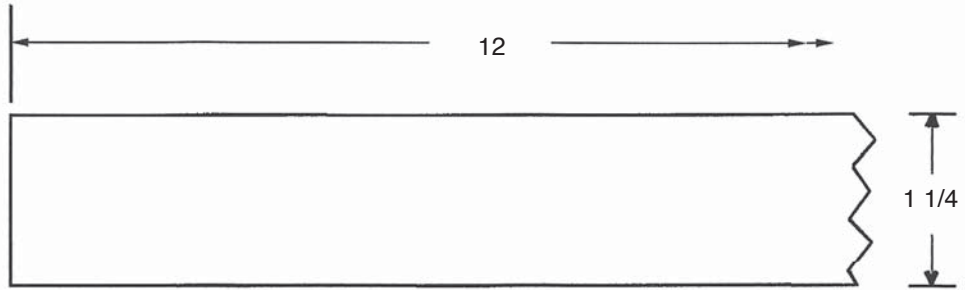
Part Number	Description	
FLA AST 1/8 x 2 x 83 1/8	FLAT ASTRAGAL 1/8 x 2 x 83 1/8	
FLA AST 1/8 x 2 x 95 1/8	FLAT ASTRAGAL 1/8 x 2 x 95 1/8	
SB-3 SB-4 SB-5 SB-6 SB-7 SB-8 SB-10	3 FT SPREADER BAR 4 FT SPREADER BAR 5 FT SPREADER BAR 6 FT SPREADER BAR 7 FT SPREADER BAR 8 FT SPREADER BAR 10 FT SPREADER BAR	

MISCELLANEOUS PARTS

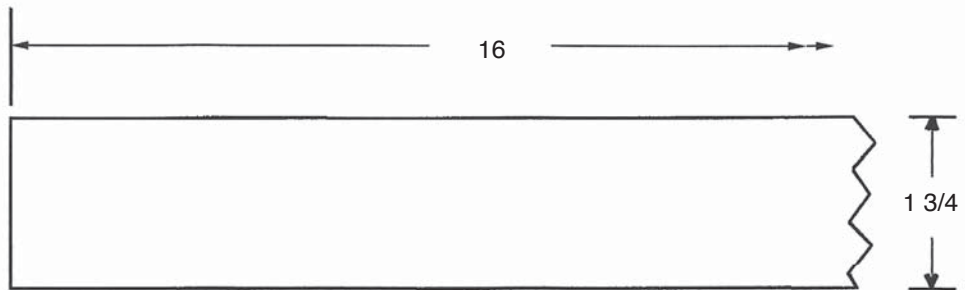
WIR 1 3/4-12-10GA



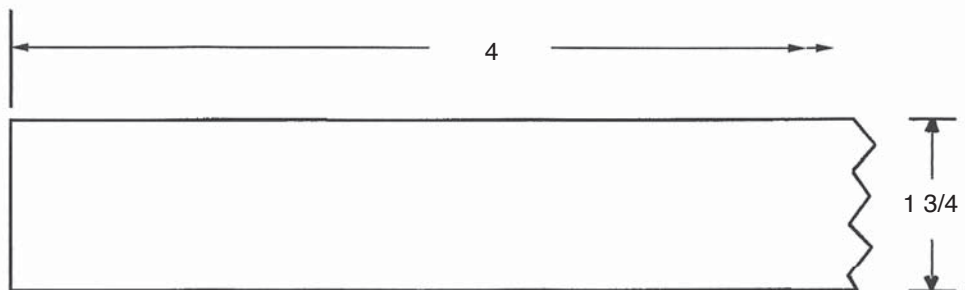
WIR 1 1/4-12-11GA-E



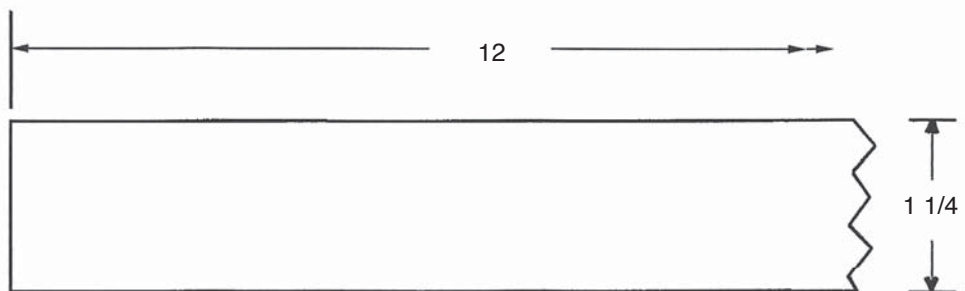
WIR 1 3/4-16-10GA



WIR 1 3/4-4-10GA

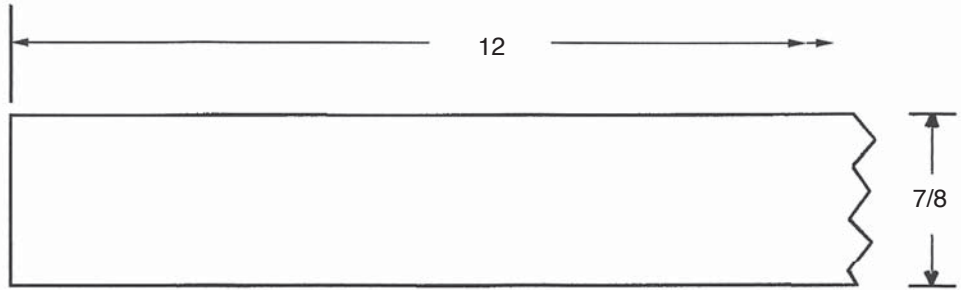


WIR 1 1/4-12-10GA

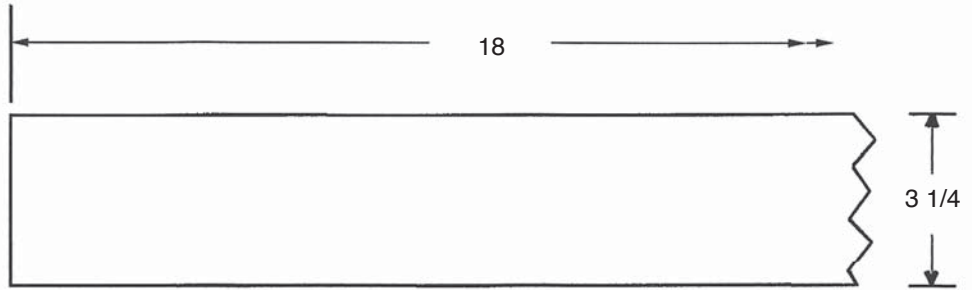


MISCELLANEOUS PARTS

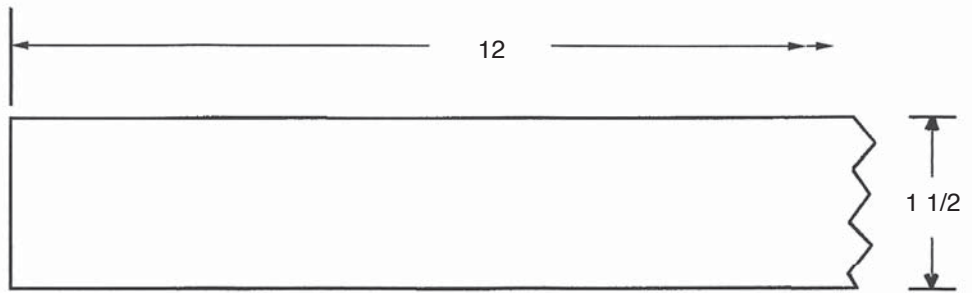
WIR 7/8-12-16GA



WIR 3 1/4-18-16GA



WIR 1 1/2-12-14GA



WIR 1 1/2-10-14GA

