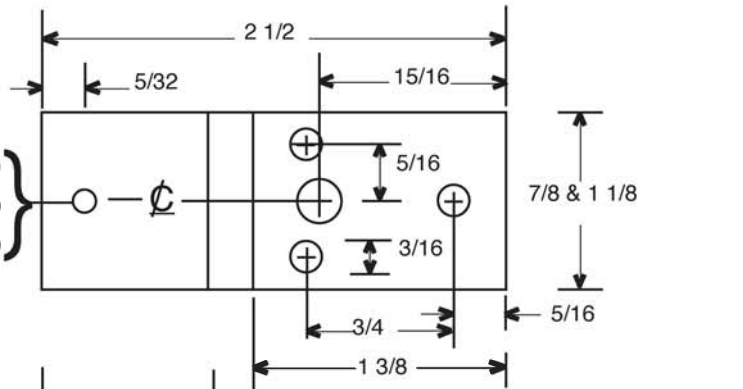


STRIKE REINFORCEMENTS

PART NO.

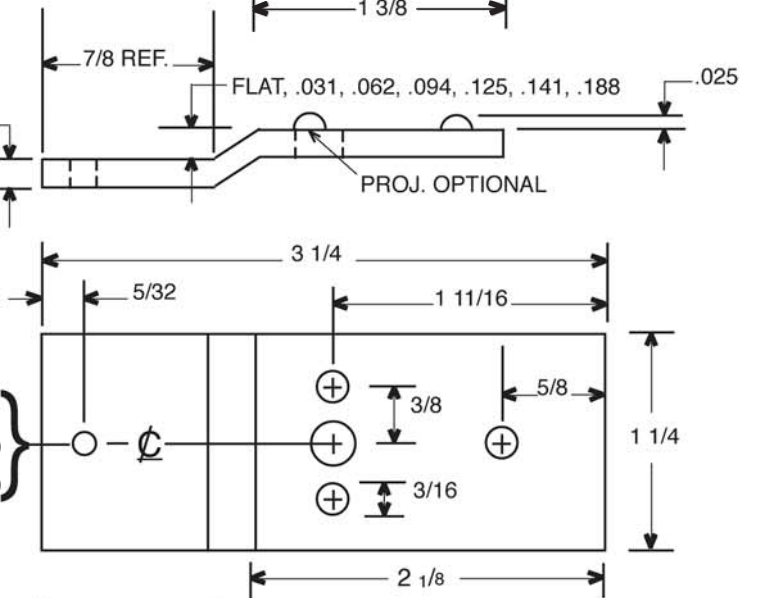
SR-01 (1 1/8 WIDE)
 SR-02 (7/8 WIDE)

8-32 TH'D
 10-24 TH'D
 12-24 TH'D



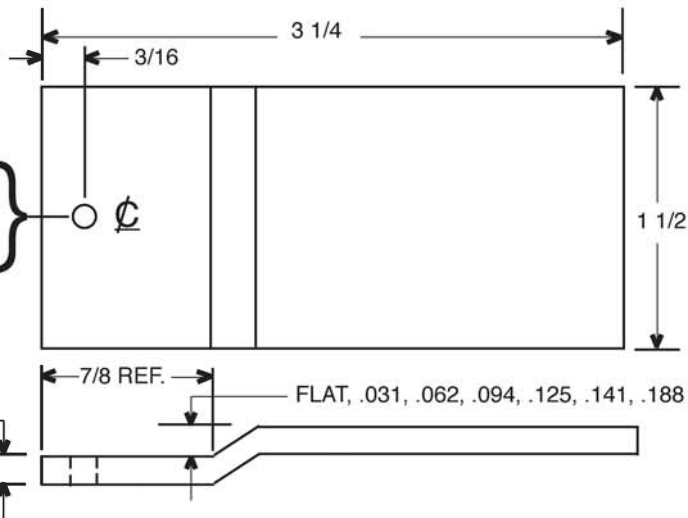
SR-03

8-32 TH'D
 10-24 TH'D
 12-24 TH'D



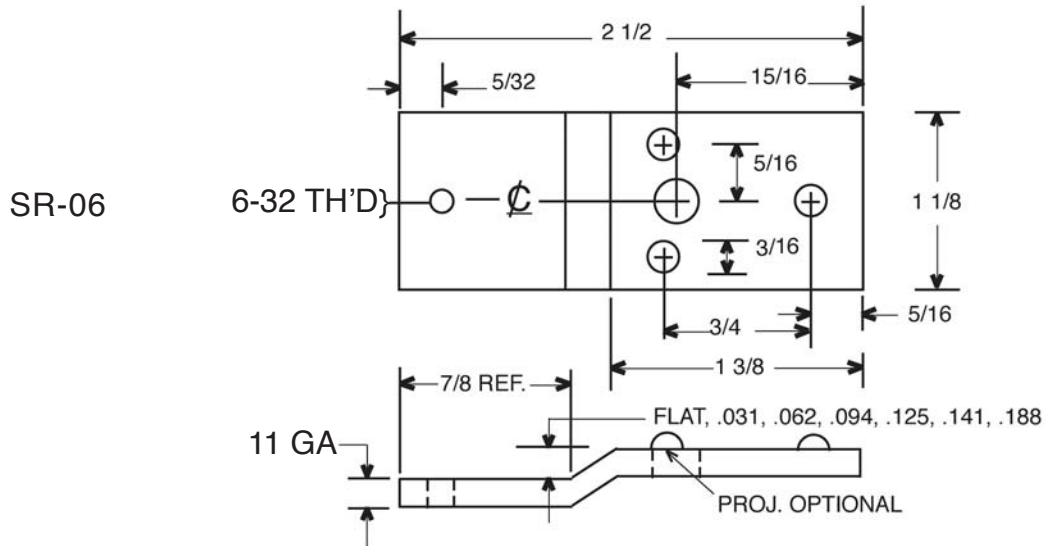
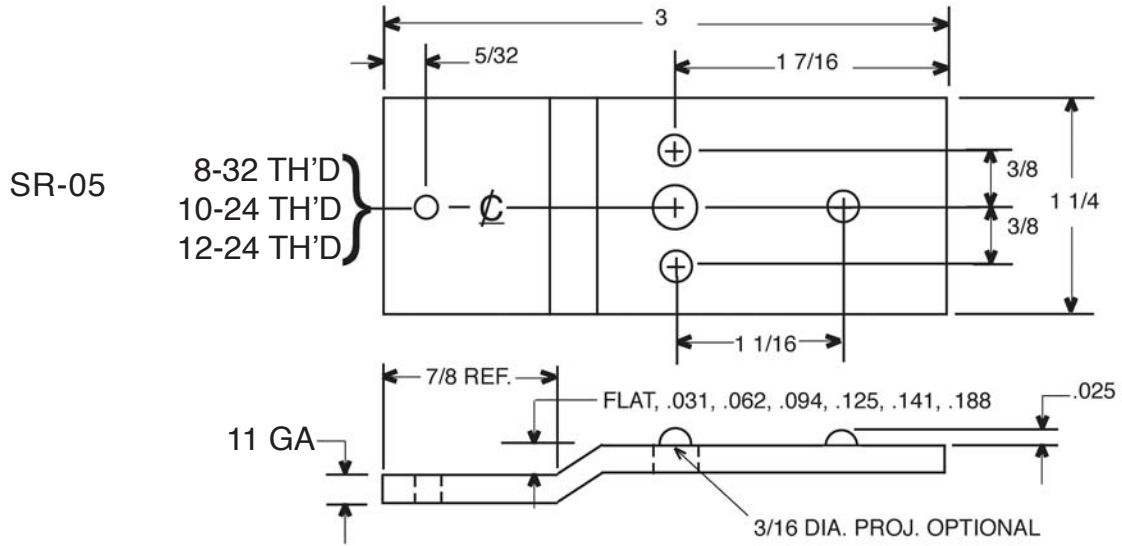
SR-04

8-32 TH'D
 10-24 TH'D
 12-24 TH'D



STRIKE REINFORCEMENTS

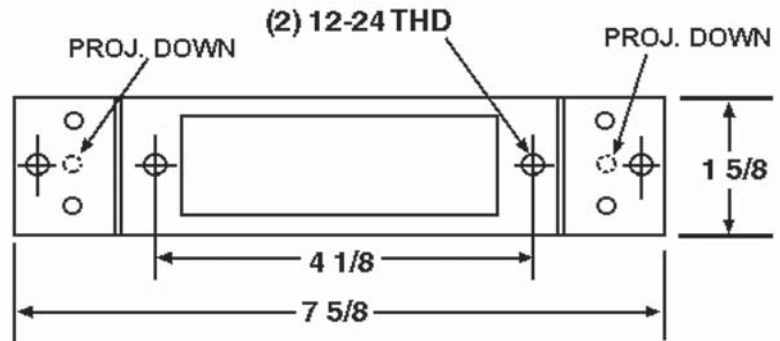
PART NO.



STRIKE REINFORCEMENTS

PART NO.

SR-478
 SR-478E
 SR-478-NP (NO PROJ)
 SR-478-4P (NO PROJ DOWN)
 (14 GA)



SR-234P 5/8 CL
 SR-234P 1/2 CL
 SR-234 NP
 SR-234 NPZ
 SR-234PZ 1/2 CL
 SR-234PZ 5/8 CL
 (14 GA)

